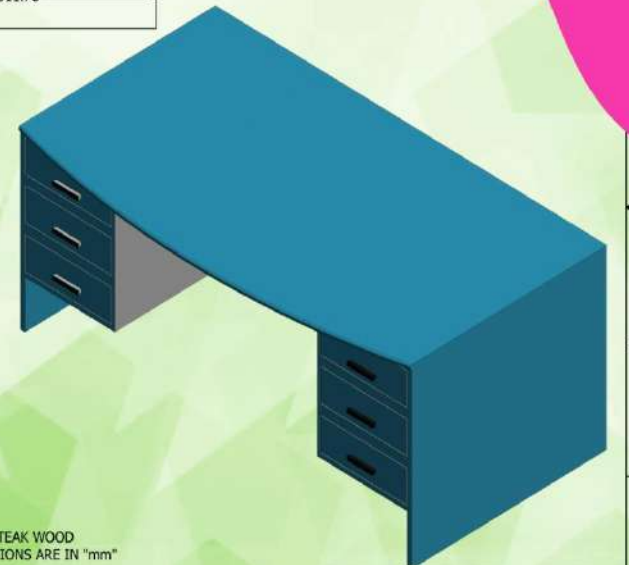
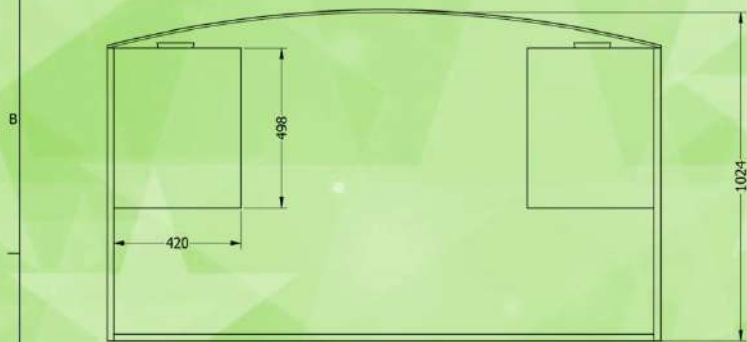
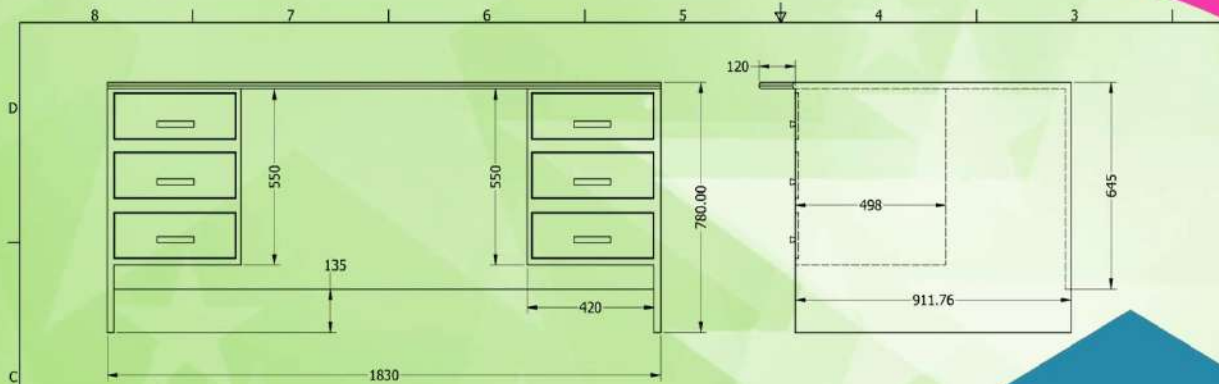


TABLE		
Sl.No.	Code	Description
09	WFG-059	NEWS PAPER READING STAND

MATERIAL: TEAK WOOD
ALL DIMENSIONS ARE IN "mm"

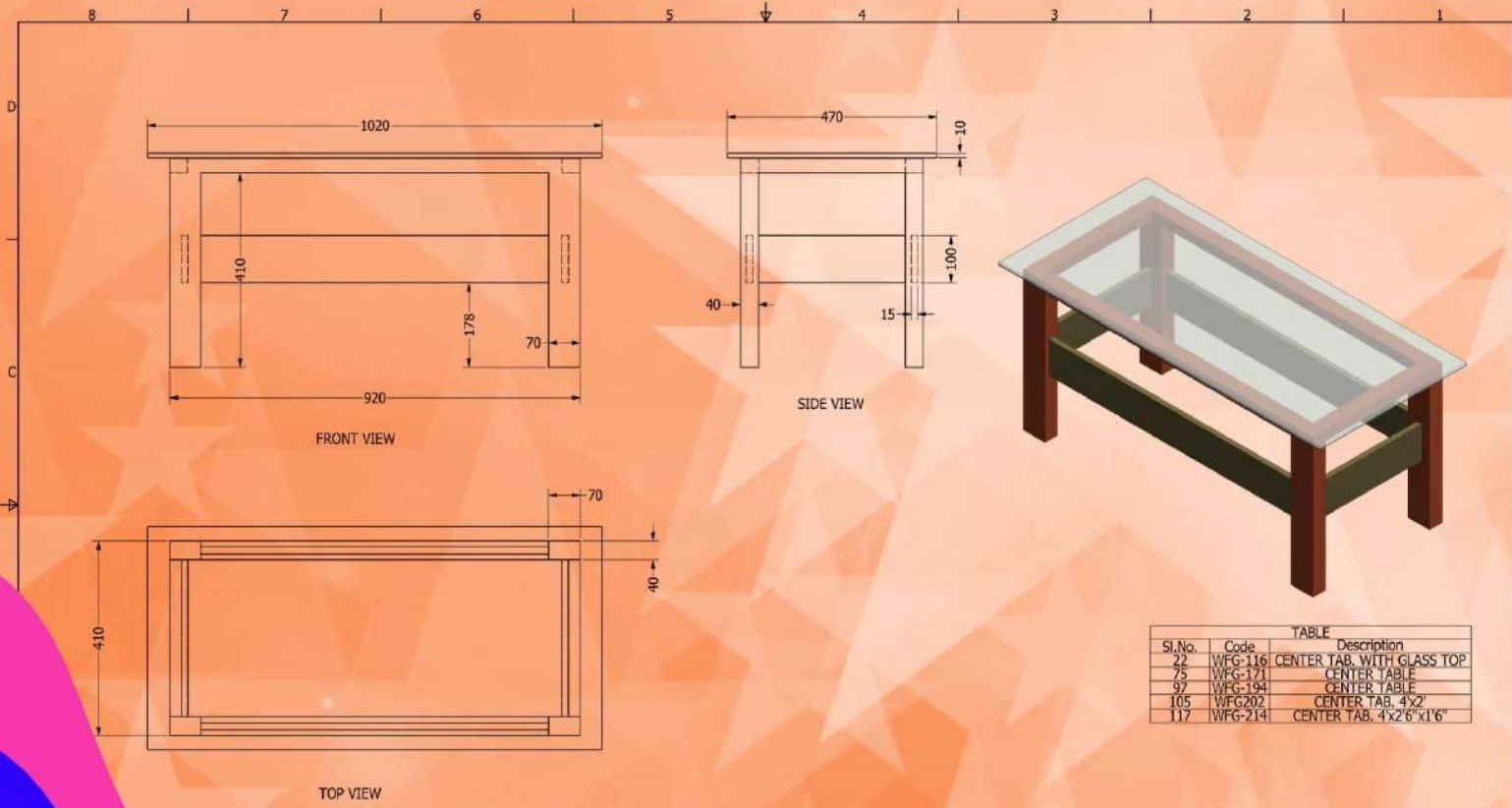
DESIGN		TITLE	
CHECKED			
DATE		NEWS PAPER READING STAND	
APPROVED		SIZE	D
		SCALE	NTS
		Page	1 of 1



MATERIAL: TEAK WOOD
ALL DIMENSIONS ARE IN "mm"

Sl.No.	Code	TABLE Description
18	WFG-112	Executive Table (Delux)
84	WFG-181	OFFICER'S TABLE 5'x2'6"
98	WFG-195	SEC. TABLE 6'x3'

DESIGN		TITLE	
CHECKED		EXECUTIVE TABLE	
QA			
REV		SIZE	SCALE
APPROVED		D	NTS
		DATE	1 of 1

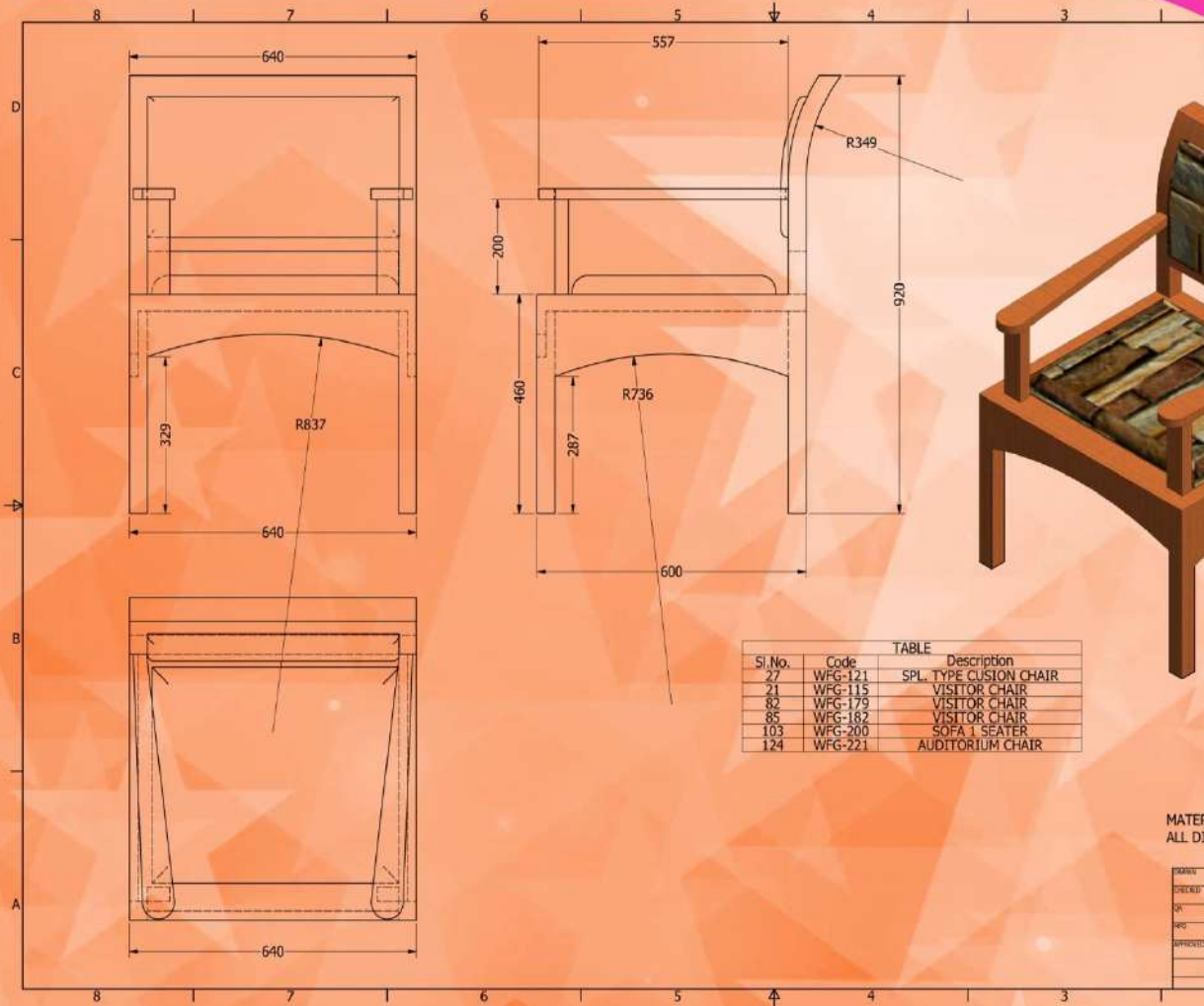


Sl.No.	Code	Description
22	WFG-116	CENTER TAB. WITH GLASS TOP
75	WFG-171	CENTER TABLE
97	WFG-194	CENTER TABLE
105	WFG-202	CENTER TAB. 4x2'
117	WFG-214	CENTER TAB. 4x2'6"x1'6"

FRAME MATERIAL: TEAK WOOD
ALL DIMENSIONS ARE IN "mm"

DESIGN		TITLE	
CHECKED			
BY		CENTER TABLE WITH GLASS TOP	
DATE			
APPROVED		REV	DATE
		D	
		SIGNATURE	DATE
		NTSI	





Sl. No.	Code	TABLE Description
27	WFG-121	SPL. TYPE CUSHION CHAIR
21	WFG-115	VISITOR CHAIR
82	WFG-179	VISITOR CHAIR
85	WFG-182	VISITOR CHAIR
103	WFG-200	SOFA 1 SEATER
124	WFG-221	AUDITORIUM CHAIR

MATERIAL: TEAK WOOD
ALL DIMENSIONS ARE IN "mm"

DESIGN		TITLE	
CHECKED			
DATE		CUSHION CHAIR	
APPROVED		DATE	
		NO.	
		REV	
		NTSI	

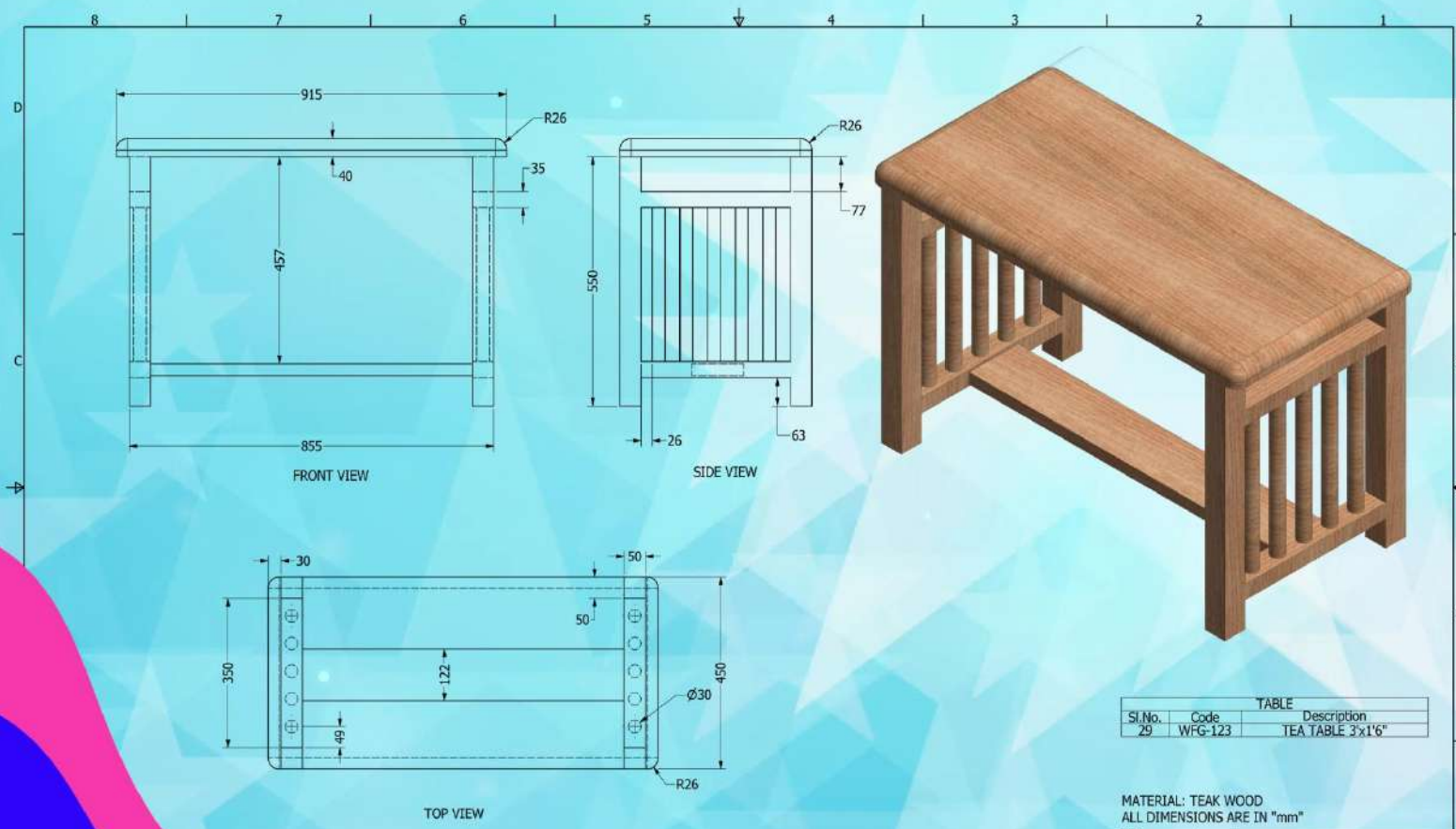
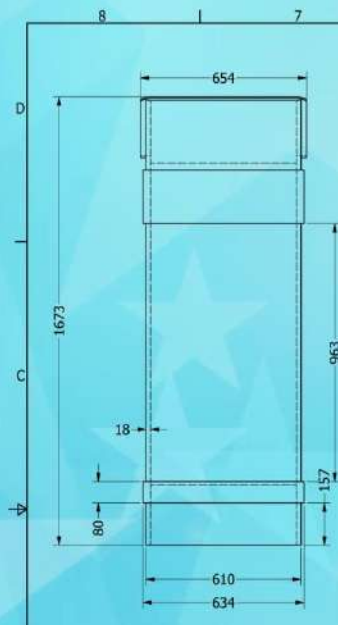


TABLE		
Sl.No.	Code	Description
29	WFG-123	TEA TABLE 3x1'6"

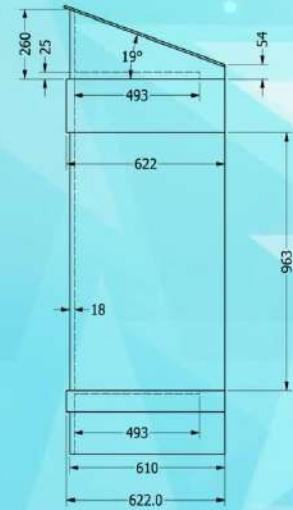
MATERIAL: TEAK WOOD
ALL DIMENSIONS ARE IN "mm"

DESIGNED	TITLE		
DATE	WOODEN TEA TABLE		
APPROVED	SCALE	DATE SET	REV
	1:1		
DRAWN		CHECKED	
N.T.S.		1 of 1	

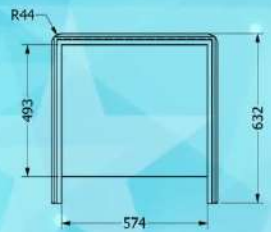




FRONT VIEW



SIDE VIEW



TOP VIEW

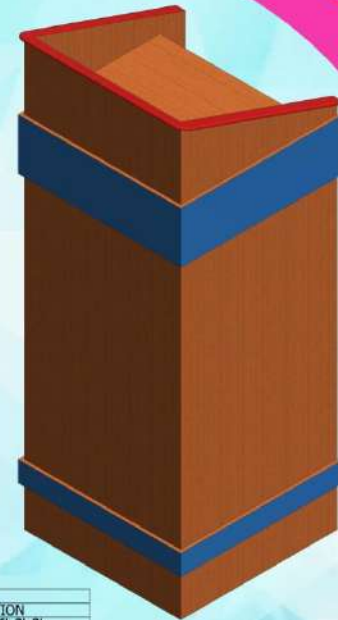


TABLE		
Sl. No.	CODE	DESCRIPTION
34	WFG-129	DIAS TABLE 6'x2'x2'
65	WFG-161	WOODEN DIAS

MATERIAL: TEAK WOOD
ALL DIMENSIONS ARE IN "mm"

DESIGN			
DRAWN			
DATE			
BY	DIAS TABLE		
APPROVED			
	DATE	SCALE	REV
	D	NTS	1 of 1

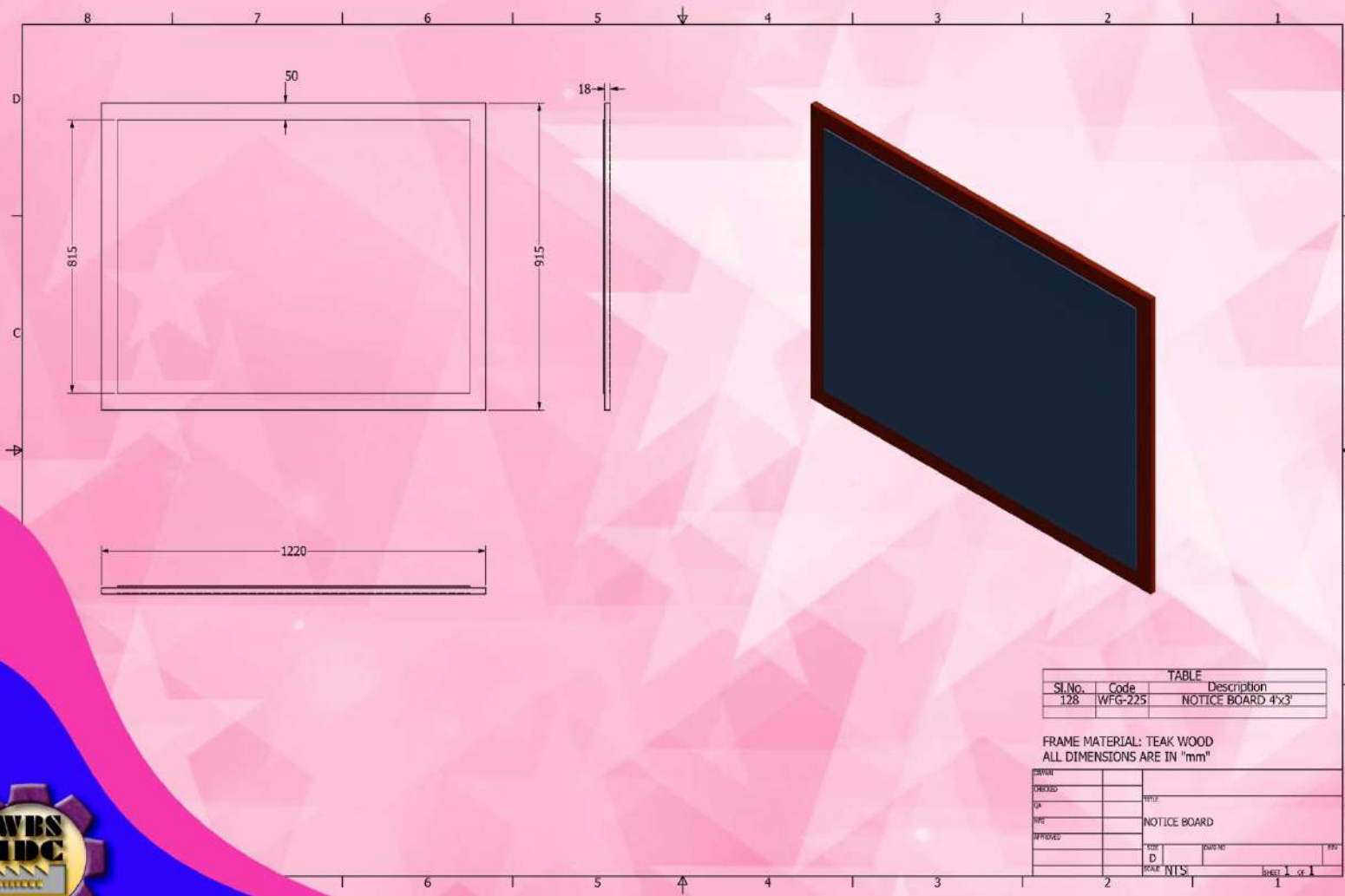
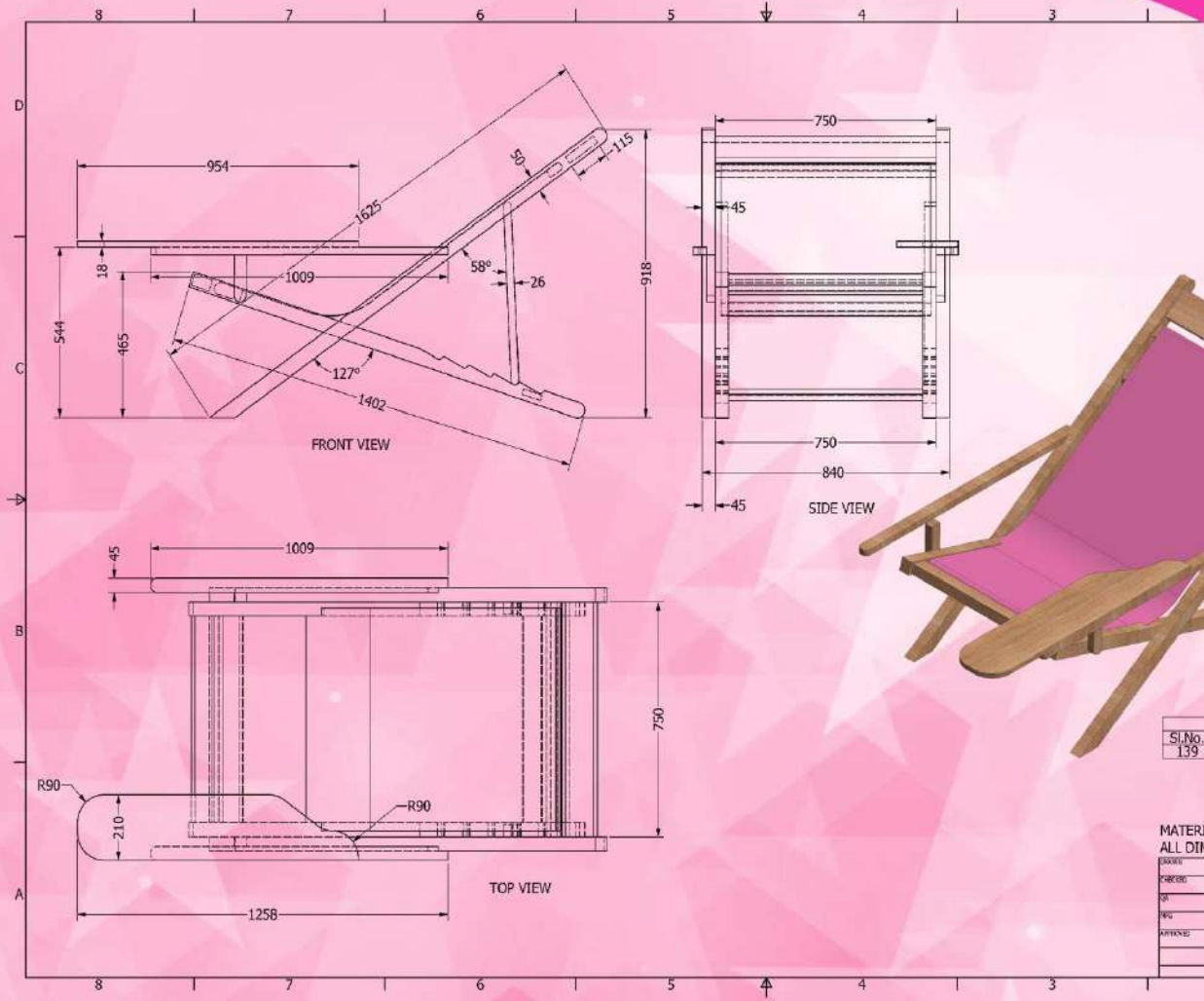


TABLE		
Sl.No.	Code	Description
128	WFG-225	NOTICE BOARD 4'x3'

FRAME MATERIAL: TEAK WOOD
ALL DIMENSIONS ARE IN 'mm'

DESIGN		TITLE	
CHECKED		DATE	
DATE		NOTICE BOARD	
APPROVED		DATE	
		BY	
		SCALE	NIS
		SHEET	1 of 1

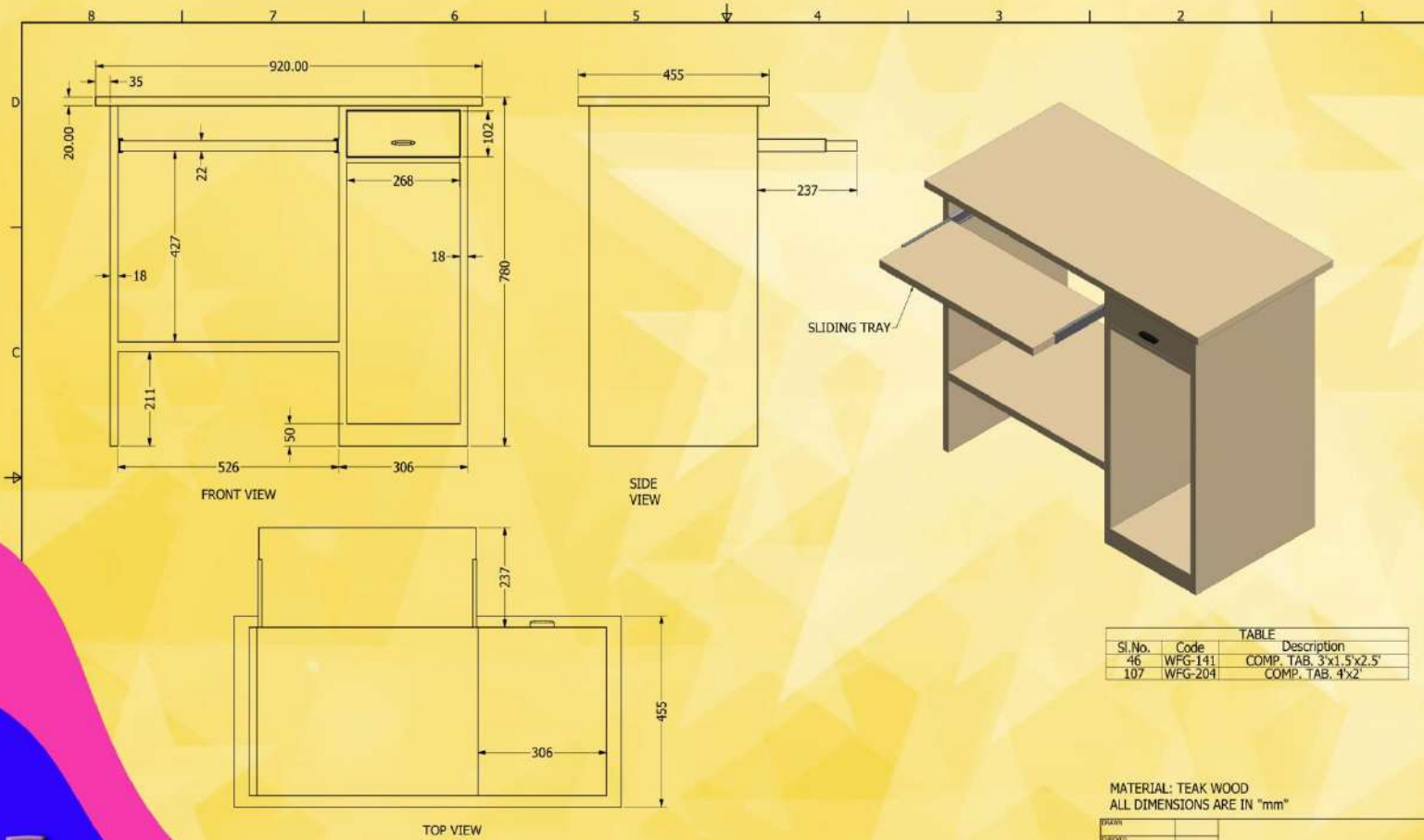




Sl.No.	Code	Description
139	WFG-236	DOUBLE ARM EASY CHAIR

MATERIAL: TEAK WOOD
ALL DIMENSIONS ARE IN "mm"

DATE:			
DESIGN:			
DR:			
WFG:			DOUBLE ARM EASY CHAIR
APPROVE:			
	DATE	DATE	DATE
	D		
	DATE	DATE	DATE
	DATE	DATE	DATE

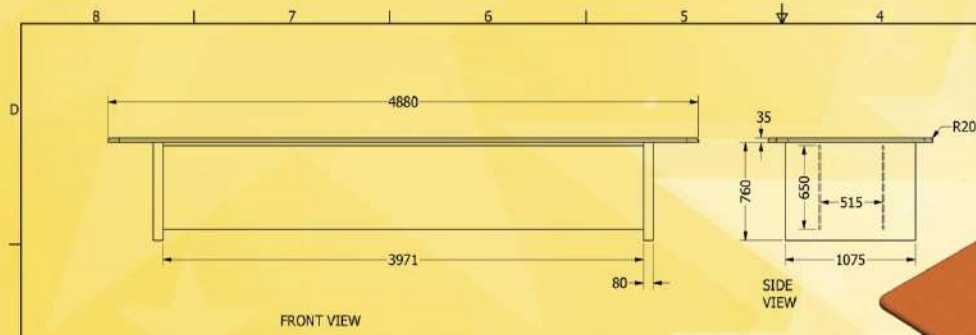


Sl.No.	Code	Description
46	WFG-141	COMP. TAB. 3'x1.5'x2.5"
107	WFG-204	COMP. TAB. 4'x2"

MATERIAL: TEAK WOOD
ALL DIMENSIONS ARE IN "mm"

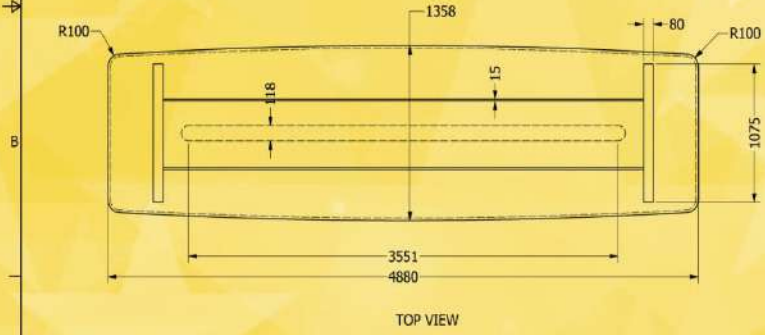
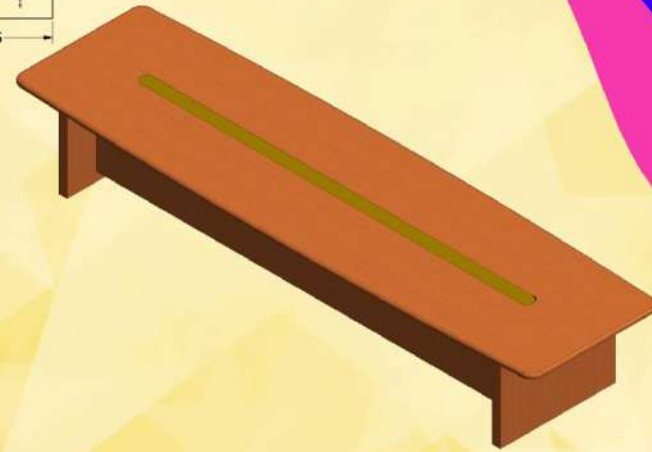
DESIGN:		DATE:	
DRAWN:		BY:	
QA:		CHKD:	
PPN:		COMPUTER TABLE	
APPROVED:		REV:	
		D	
		SCALE:	NTS
			Sheet 1 of 1





FRONT VIEW

SIDE VIEW

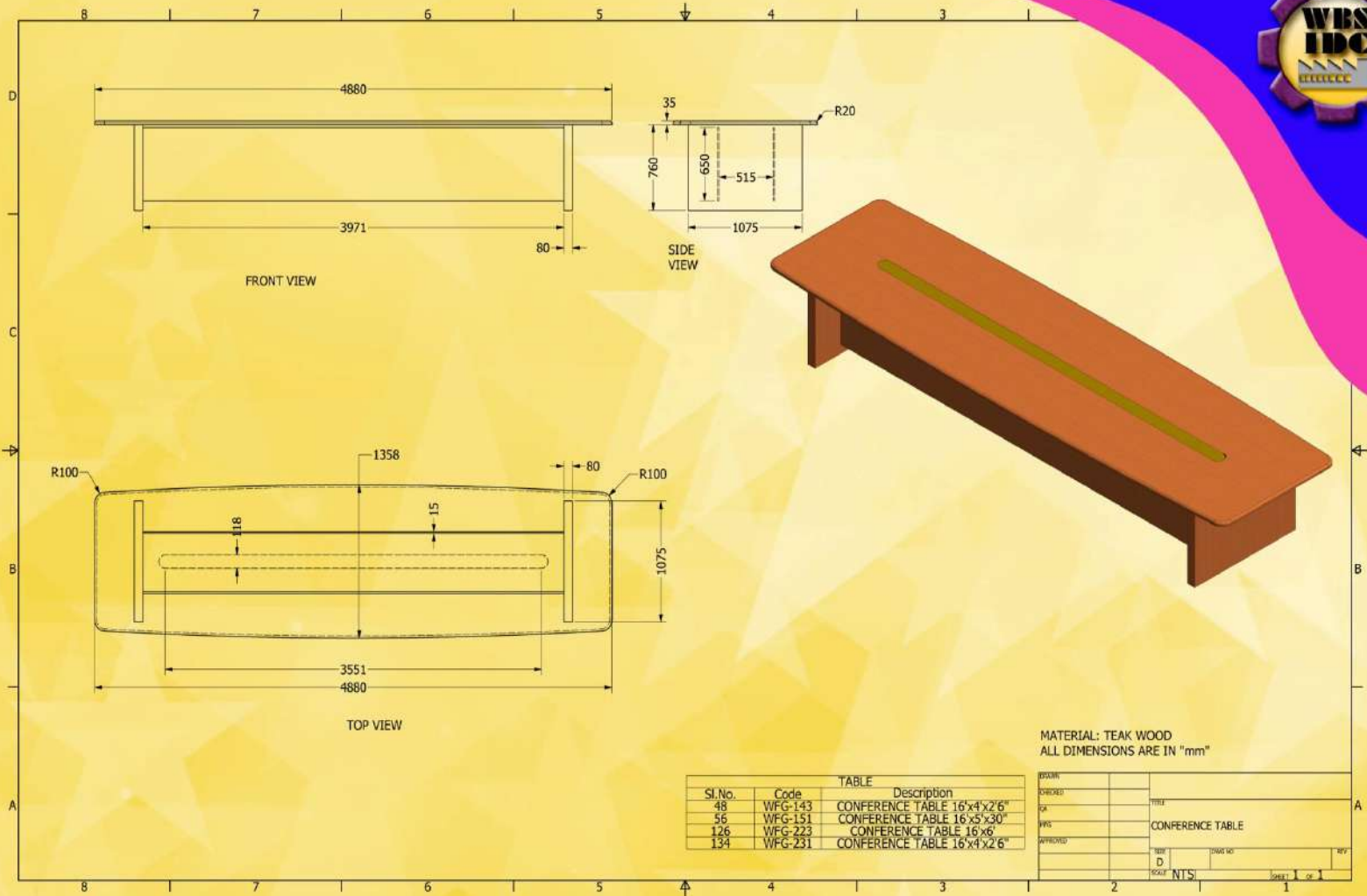


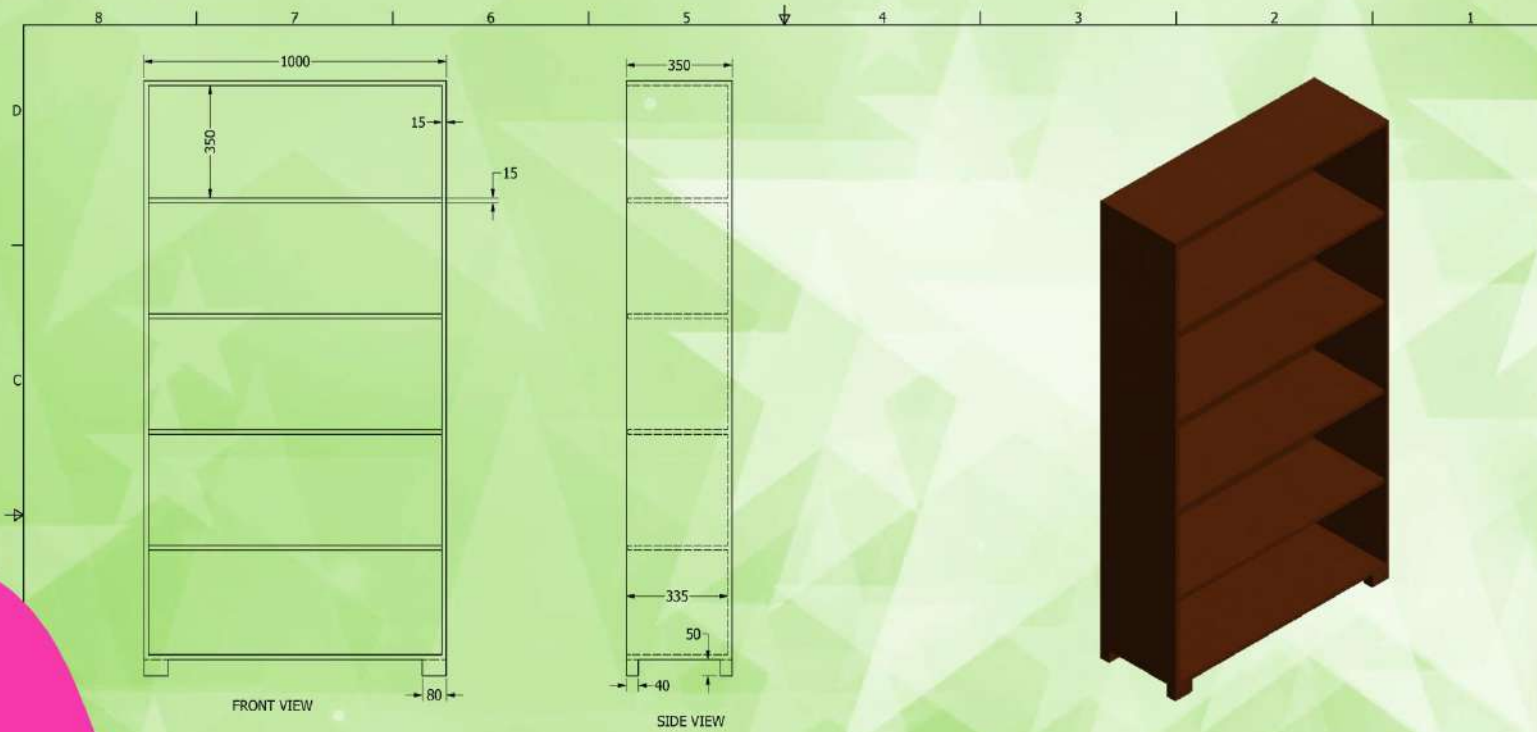
TOP VIEW

MATERIAL: TEAK WOOD
ALL DIMENSIONS ARE IN "mm"

Sl.No.	Code	TABLE Description
48	WFG-143	CONFERENCE TABLE 16'x4'x2'6"
56	WFG-151	CONFERENCE TABLE 16'x5'x3'0"
126	WFG-223	CONFERENCE TABLE 16'x6'
134	WFG-231	CONFERENCE TABLE 16'x4'x2'6"

DESIGN			
DRAWN		TITLE	
CHECKED		CONFERENCE TABLE	
DATE			
APPROVED		DATE	
		SCALE	1/1





Sl.No.	Code	Description
04	WFG-032	FILE RACK OPEN TYPE

MATERIAL: TEAK WOOD
ALL DIMENSIONS ARE IN "mm"

DESIGN			
CHECKED			
BY			
DATE			
APPROVED			
BY			
DATE			
SHEET	1	OF	1



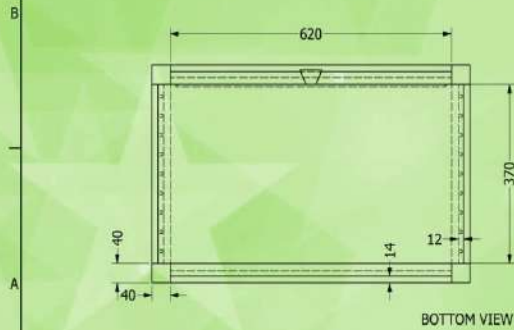
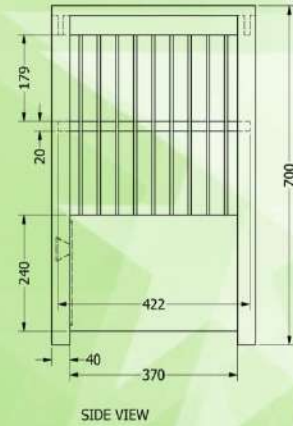
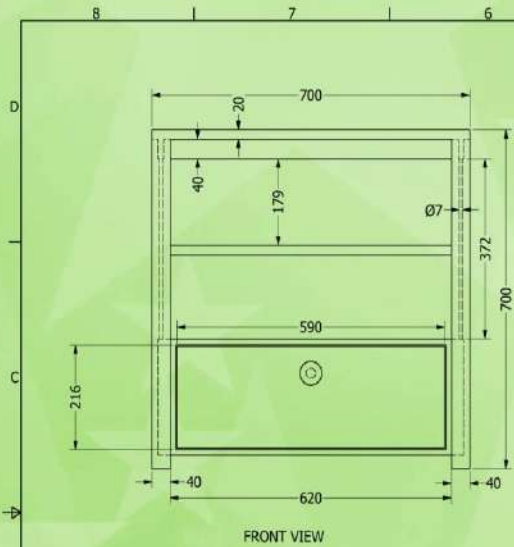
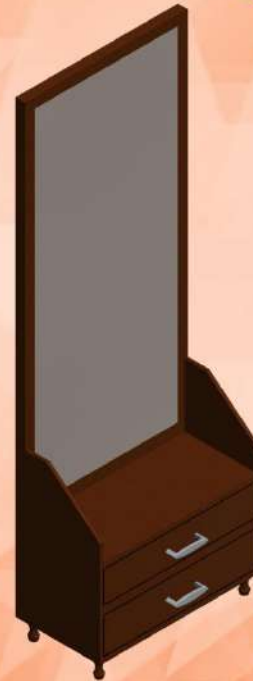
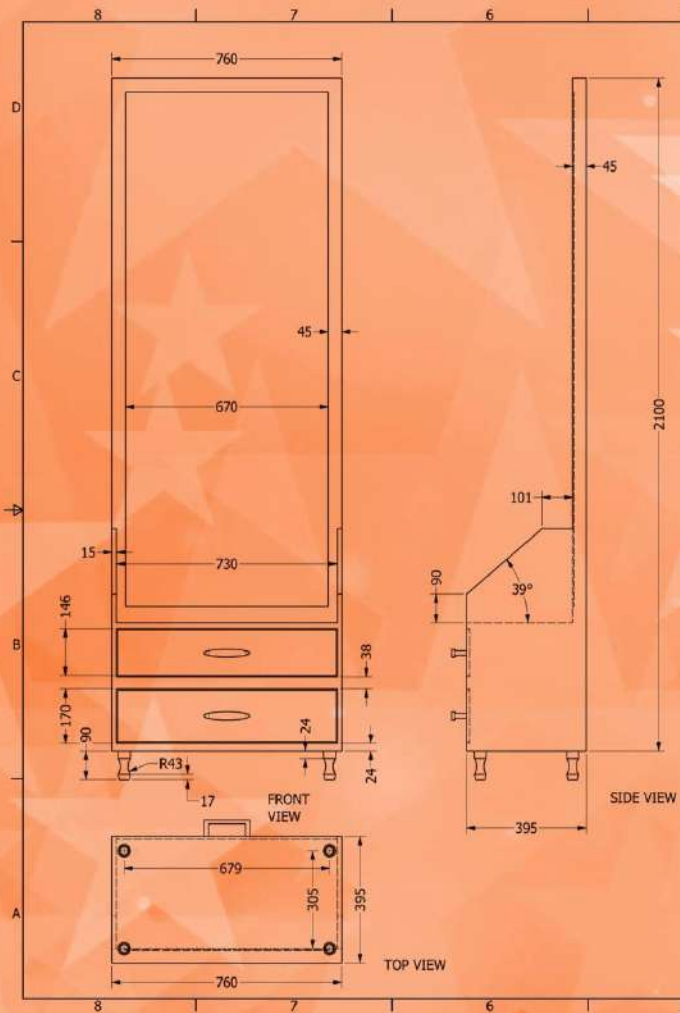


TABLE		
Sl.No.	Code	Description
17	WFG-111	TV & VCR TABLE

MATERIAL: TEAK WOOD
ALL DIMENSIONS ARE IN "mm"

DESIGN		TITLE	
CHECKED		DATE	
DATE		DESCRIPTION	TV & VCR TABLE
APPROVED		DATE	
		SCALE	NTS
		REV	



MATERIAL: C.P TEAK WOOD
ALL DIMENSIONS ARE IN "mm"

SL No.	CODE	DESCRIPTION
28	WFG-122	DRESSING TABLE
82	WFG-178	DRESSING UNIT

DESIGNER	TITLE
CHECKED	DRESSING TABLE
QA	
QC	
APPROVED	
DATE	SCALE
D	NTSI
	Sheet 1 of 1

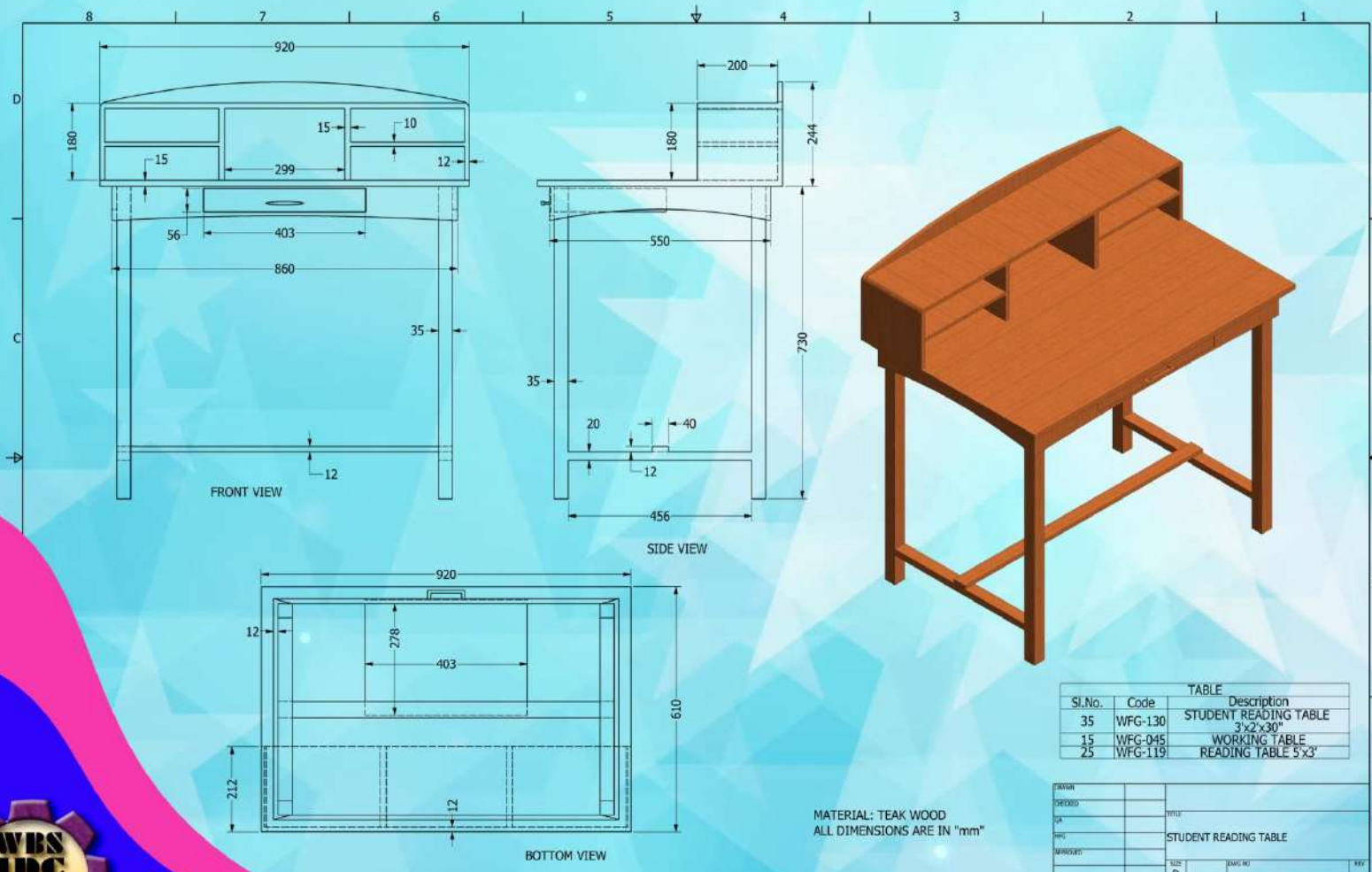
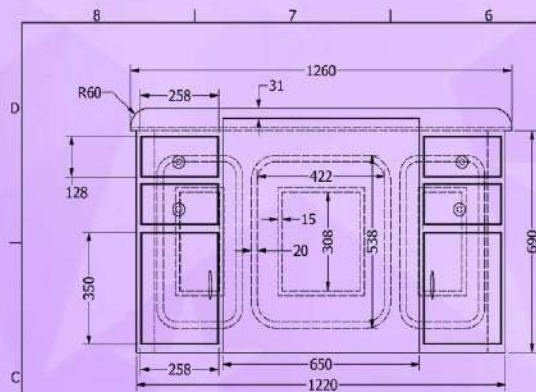


TABLE		
Sl.No.	Code	Description
35	WFG-130	STUDENT READING TABLE 3'x2'x30"
15	WFG-045	WORKING TABLE
25	WFG-119	READING TABLE 5'x3'

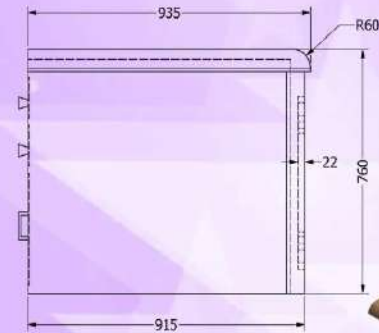
MATERIAL: TEAK WOOD
ALL DIMENSIONS ARE IN "mm"

DESIGNER:		TITLE:	
DATE:		PROJECT:	STUDENT READING TABLE
SCALE:		SIZE:	D
REVISION:		DATE:	
		BY:	NTS





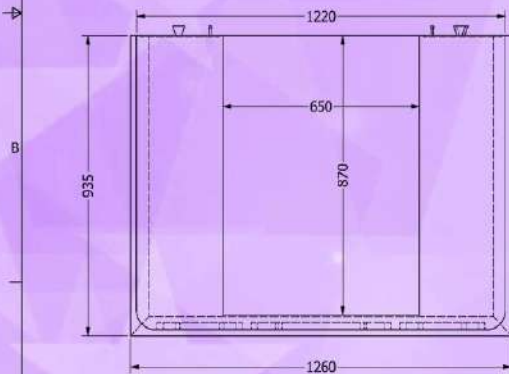
FRONT VIEW



SIDE VIEW



BACK SIDE VIEW



TOP VIEW



FRONT SIDE VIEW

TABLE		
Sl.No.	Code	Description
89	WFG-186	ORNAMENTAL EXE. TAB. 48"x36"x30"

MATERIAL: TEAK WOOD
ALL DIMENSIONS ARE IN "mm"

DESIGN				
DRAWN				
QA				
SPS				
APPROVED				
DATE				
BY				
SCALE				
NISI		Sheet 1 of 1		

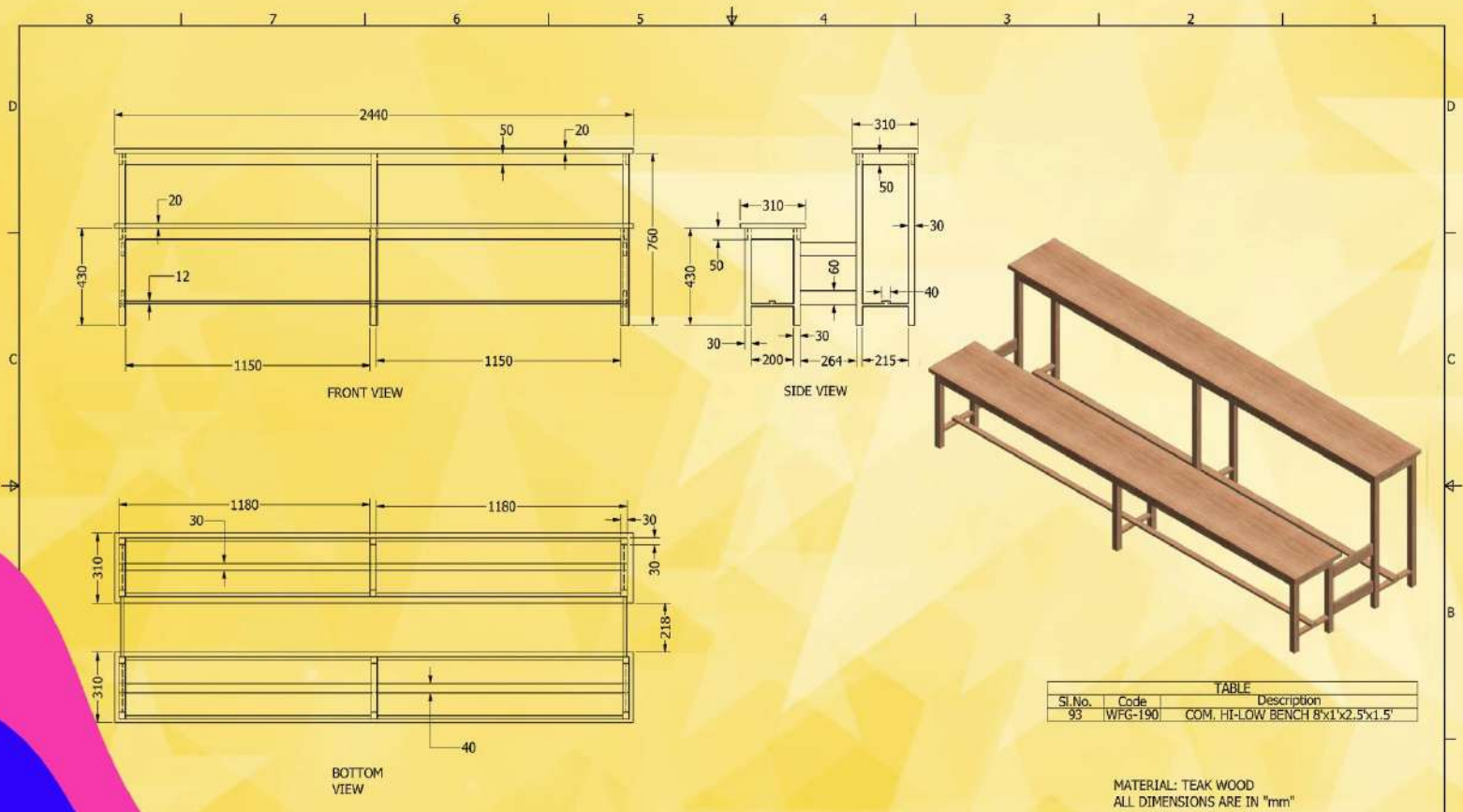
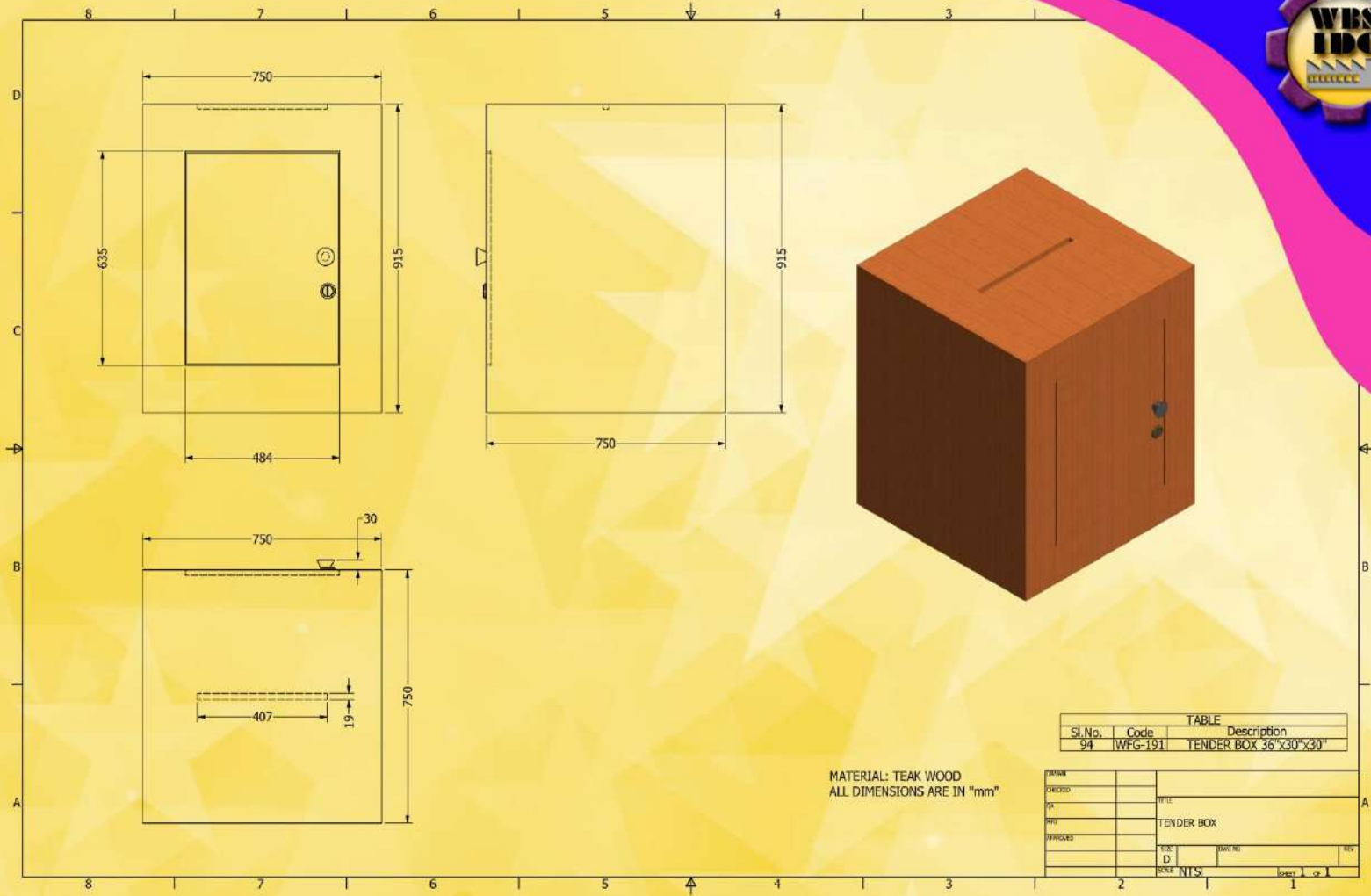


TABLE		
Sl.No.	Code	Description
93	WFG-190	COM. HI-LOW BENCH 8'x1'x2.5'x1.5'

MATERIAL: TEAK WOOD
ALL DIMENSIONS ARE IN "mm"

DESIGN		TITLE	
CHECKED		COM. HI-LOW BENCH	
BY		DATE	
APPROVED		SCALE	
		BY	
		DATE	
		SHEET	1 OF 1

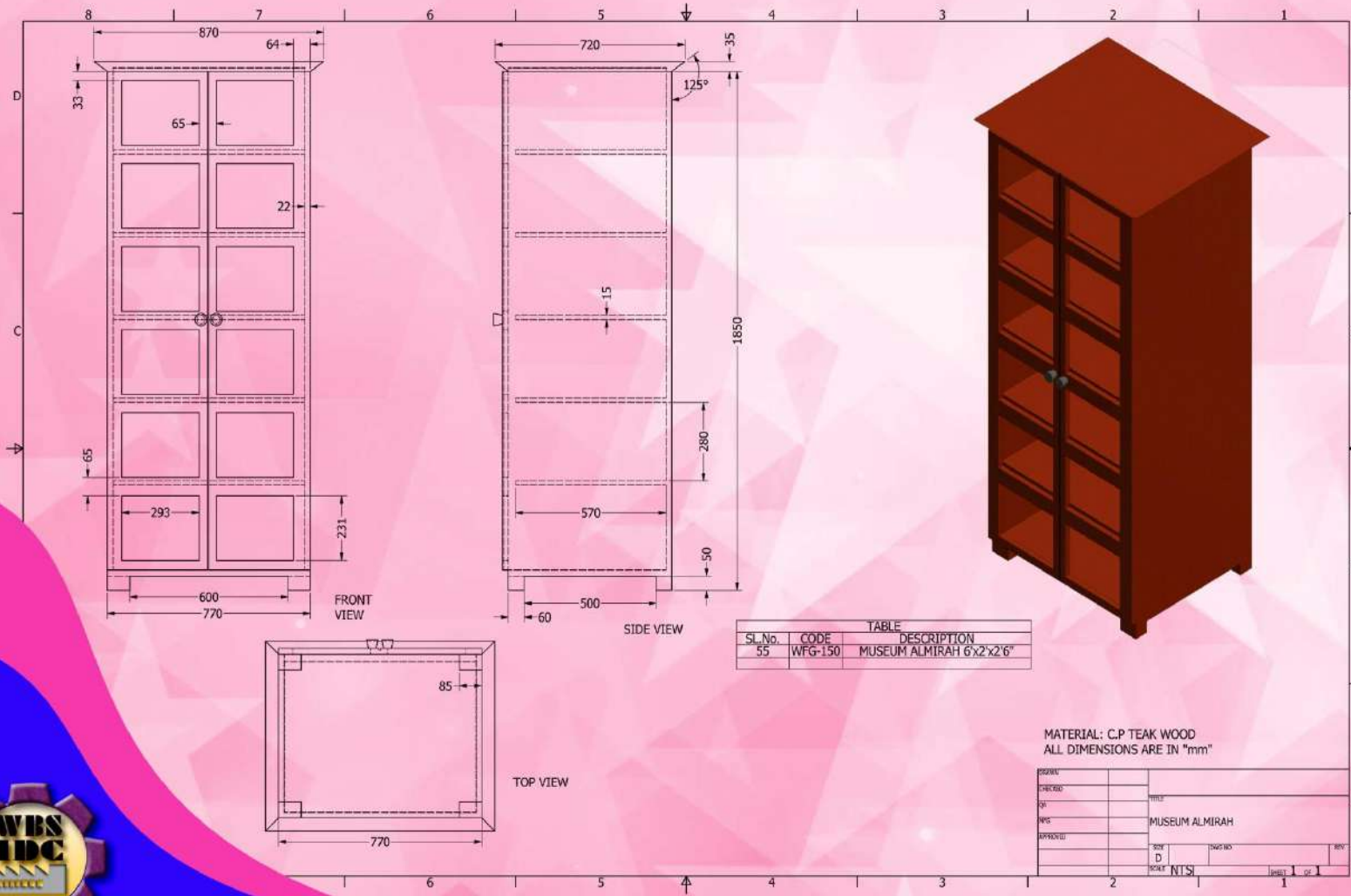




MATERIAL: TEAK WOOD
ALL DIMENSIONS ARE IN "mm"

TABLE		
Sl.No.	Code	Description
94	WFG-191	TENDER BOX 36"x30"x30"

DESIGN		TITLE	
CHECKED		TENDER BOX	
DATE		DATE	REV
BY		DATE	REV
APPROVED		DATE	REV
		DATE	REV
		DATE	REV

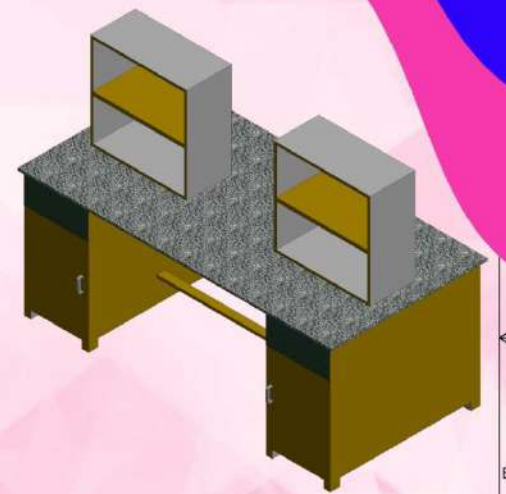
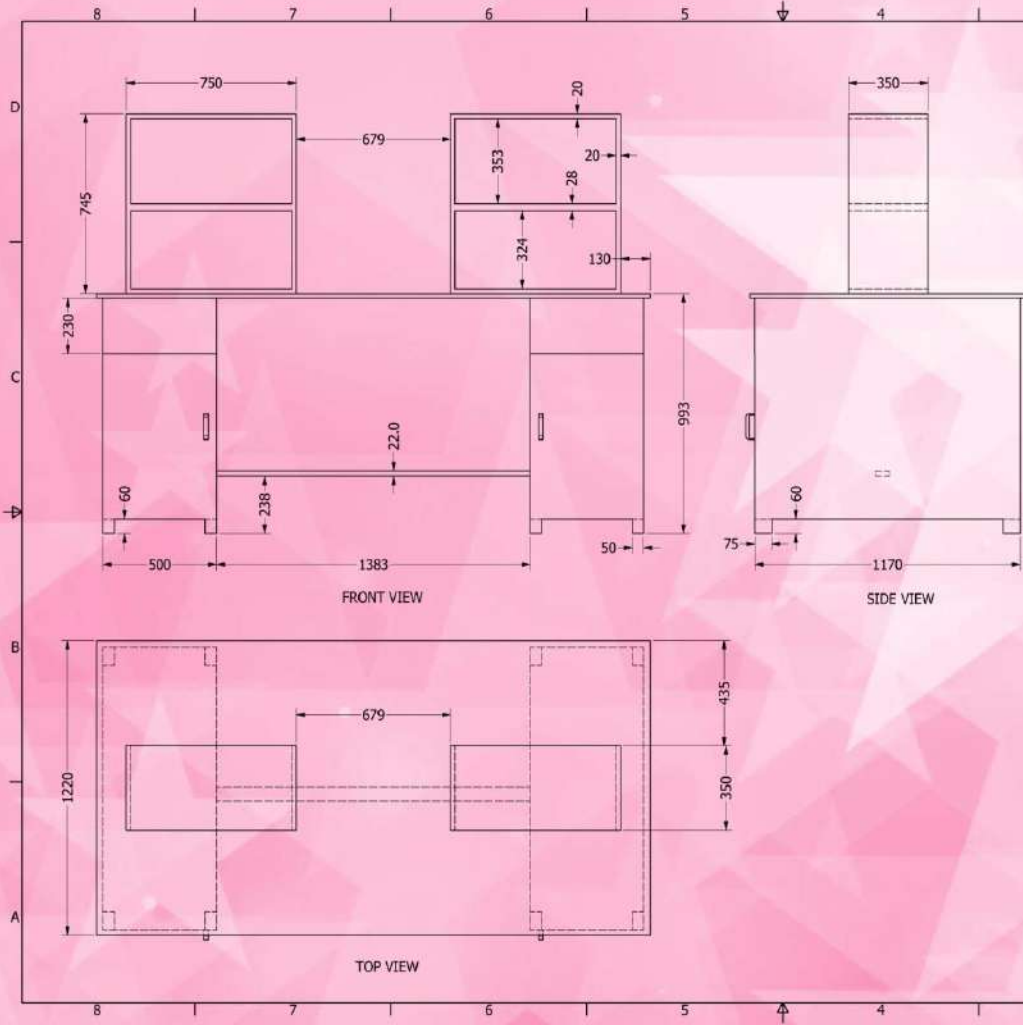


Sl.No.	CODE	DESCRIPTION
55	WFG-150	MUSEUM ALMIRAH 6'x2'x2'6"

MATERIAL: C/P TEAK WOOD
ALL DIMENSIONS ARE IN "mm"

DESIGNER:			
CHECKED:			
DATE:			
BY:	MUSEUM ALMIRAH		
APPROVED:	DATE:	INSTR. NO:	REV:
	D		
	NTSI		1/2

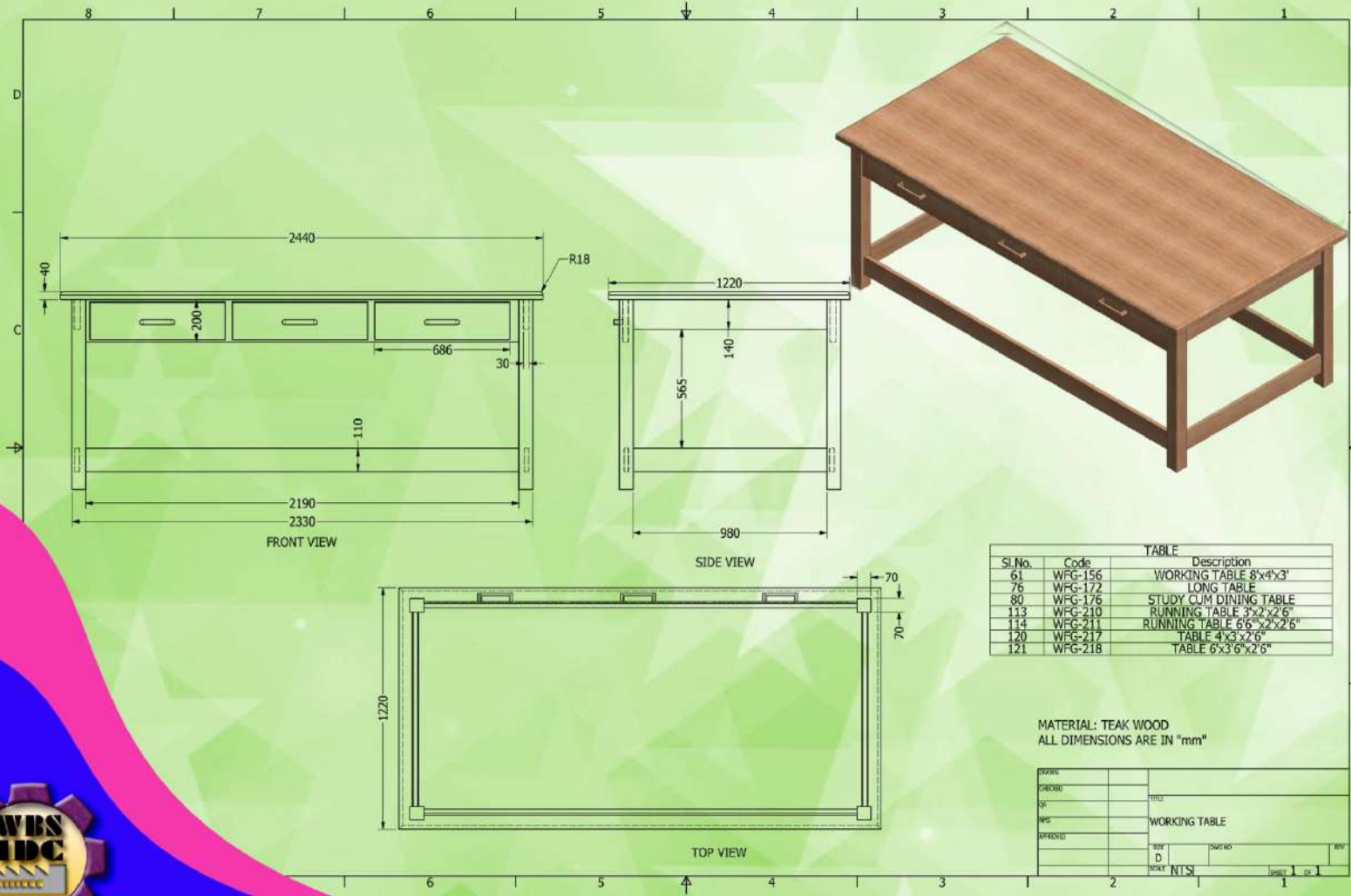




Sl. No.	Code	TABLE Description
60	WFG-155	MICROBIOLOGY LAB TABLE 8'x4'x3'
58	WFG-153	LABORATORY TABLE 7'x4'x3'
59	WFG-154	PHARMACOLOGY LAB TABLE 8'x4'x3'
64	WFG-159	HISTOLOGY FORENSIC LAB TABLE

MATERIAL: TEAK WOOD
ALL DIMENSIONS ARE IN "mm"

DRAWN		TITLE	
CHECKED			
DATE		MICROBIOLOGY LAB TABLE	
APPROVED		DATE	
		SCALE	1 of 1
		NTSI	



Sl.No.	Code	Description
61	WFG-156	WORKING TABLE 8'x4'x3"
76	WFG-172	LONG TABLE
80	WFG-176	STUDY CUM DINING TABLE
113	WFG-210	RUNNING TABLE 3'x2'x2.6"
114	WFG-211	RUNNING TABLE 6'6" x2'x2.6"
120	WFG-217	TABLE 4'x3'x2.6"
121	WFG-218	TABLE 6'x3'6" x2.6"

MATERIAL: TEAK WOOD
ALL DIMENSIONS ARE IN "mm"

DESIGNER:		TITLE:	
CHECKED:		WORKING TABLE	
DATE:		SCALE:	
APPROVED:		DATE:	
		BY:	
		NO.	



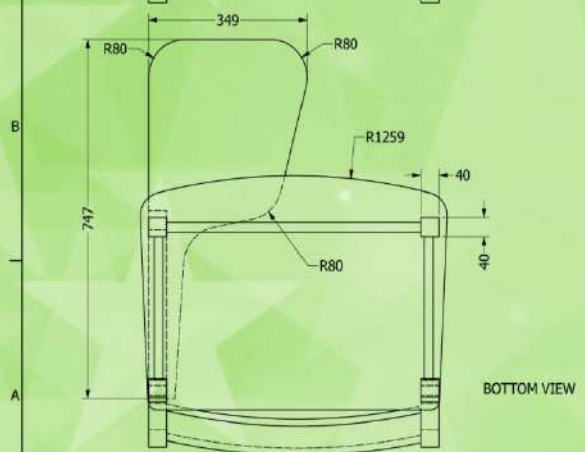
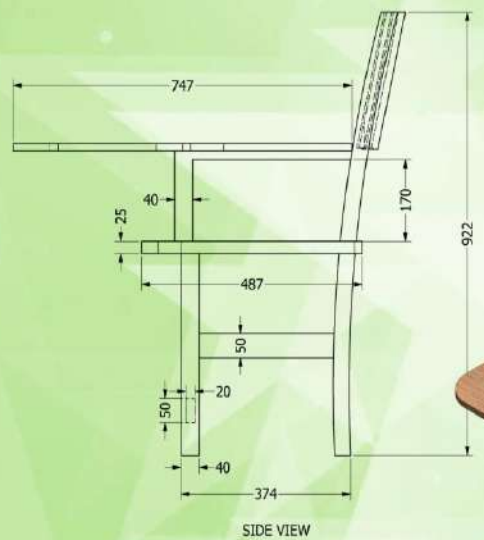
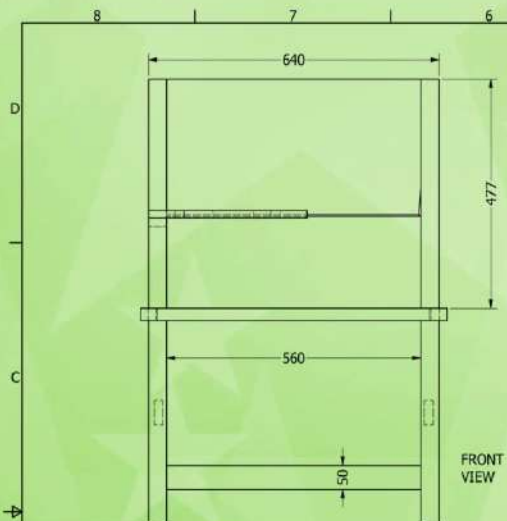
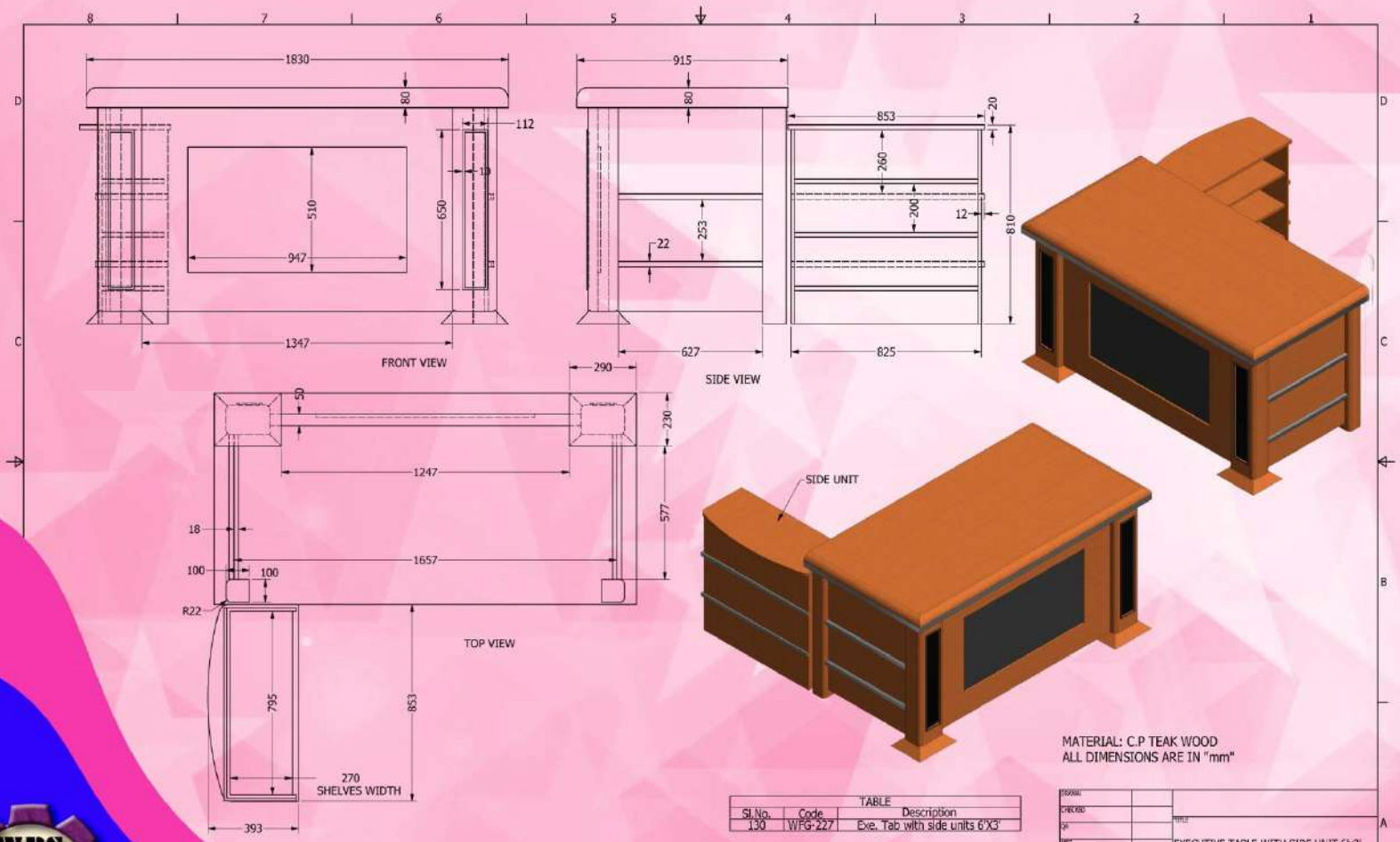


TABLE		
Sl.No.	Code	Description
68	WFG-164	WOODEN SEMINER CHAIR

MATERIAL: TEAK WOOD
ALL DIMENSIONS ARE IN "mm"

DESIGNED:	TITLE:
CHECKED:	SEMINER CHAIR
DRAWN:	SCALE: NTS
DATE:	1 of 1

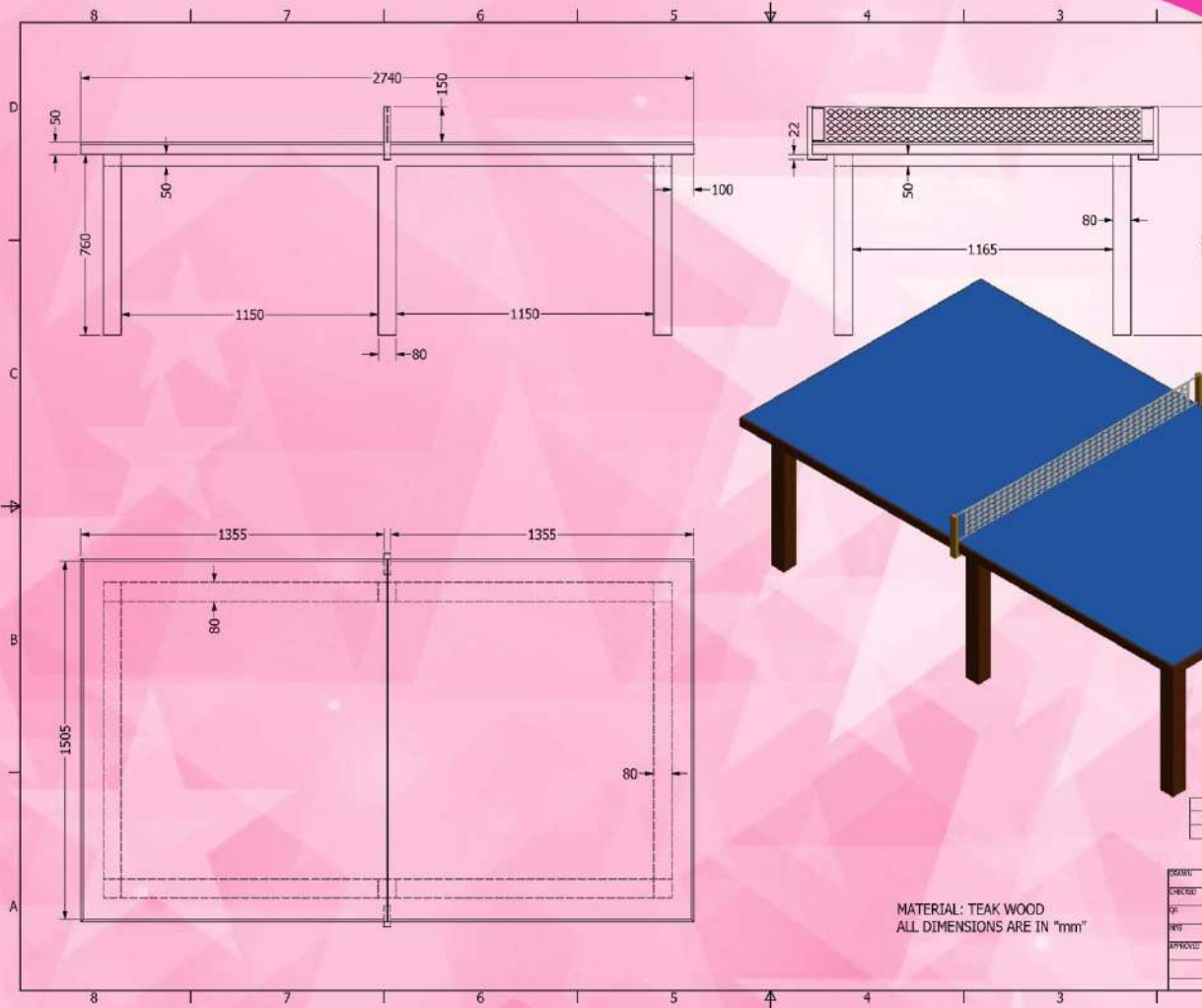


MATERIAL: C.P TEAK WOOD
ALL DIMENSIONS ARE IN "mm"

Sl.No.	Code	TABLE Description
130	WFG-227	Exe. Tab with side units 6'X3'

DESIGN			
CHECKED		TITLE	
DATE		EXECUTIVE TABLE WITH SIDE UNIT 6'X3'	
APPROVED		DATE	REV
		D	
		NTSI	1 of 1





Sl.No.	Code	TABLE Description
137	WFG-234	TABLE TENNIS BOARD

MATERIAL: TEAK WOOD
ALL DIMENSIONS ARE IN "mm"

DESIGN			
CHECKED			
DATE			
REV		TABLE TENNIS BOARD	
APPROVED			
		DATE	REV
		D	
		SCALE	N/S

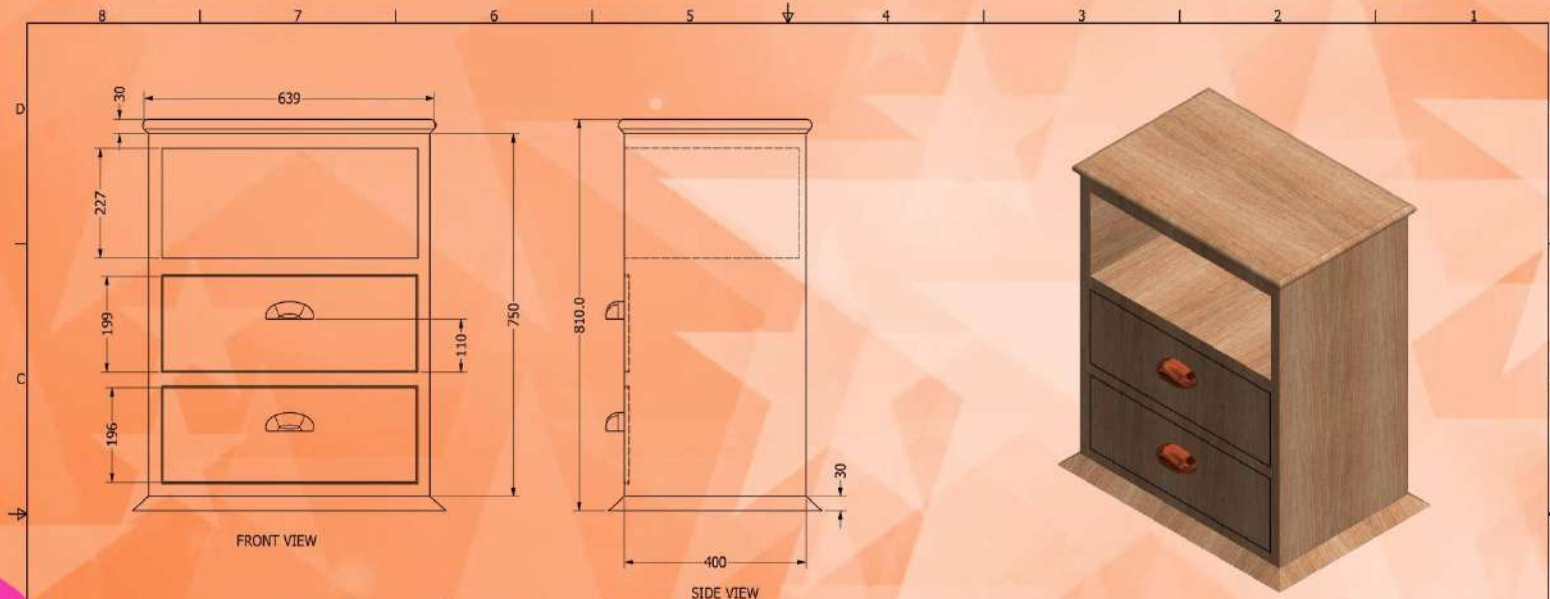


TABLE		
Sl.No.	Code	Description
79	WFG-175	BED SIDE TABLE
108	WFG-208	SIDE TABLE 2'6"x1'6"x2'6"

MATERIAL: TEAK WOOD
ALL DIMENSIONS ARE IN "mm"

DESIGNED		TITLE	
CHKD		BED SIDE TABLE	
APPROVED		DATE	
		SCALE	1:1
		NO. OF SHEETS	1 OF 1



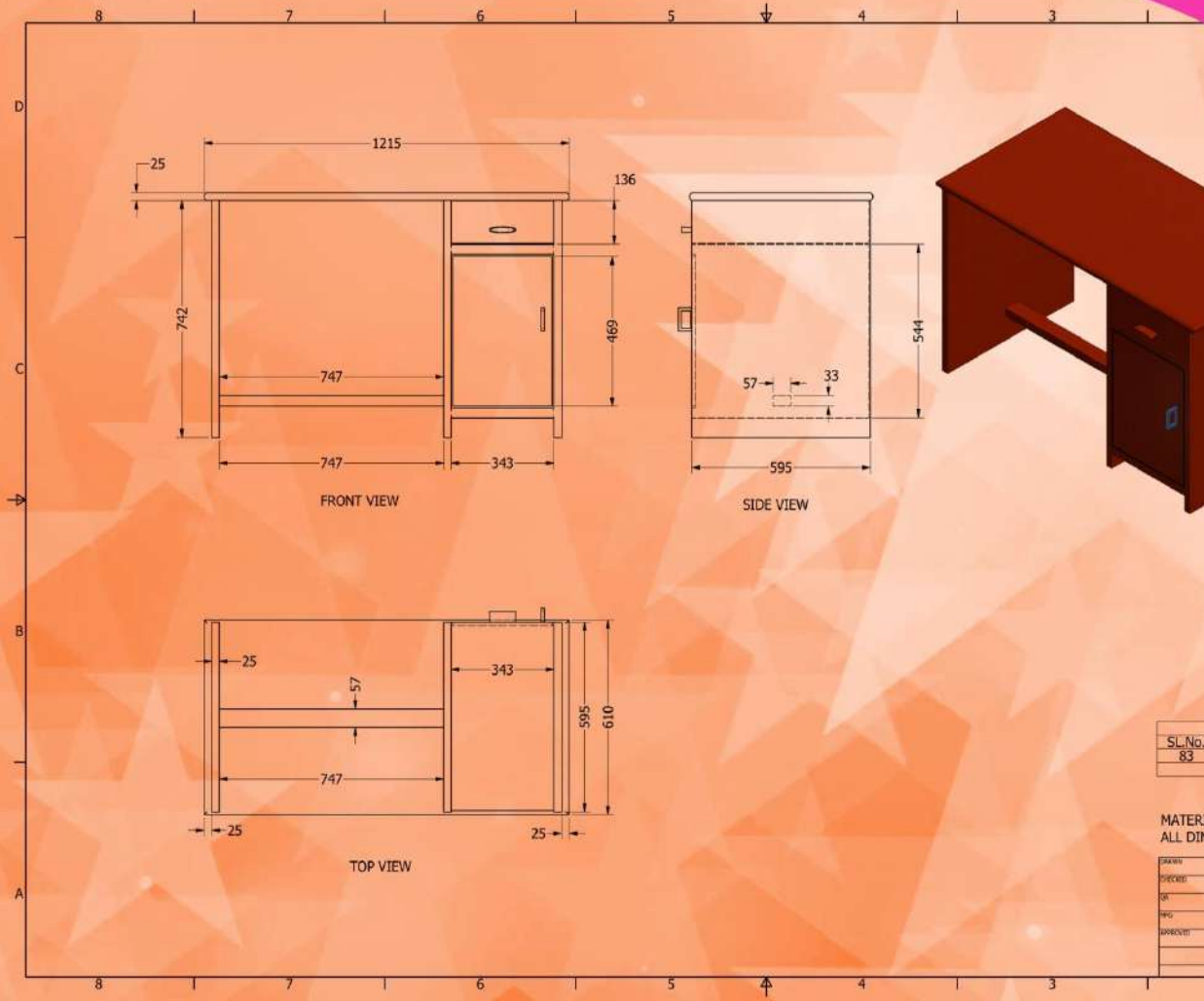
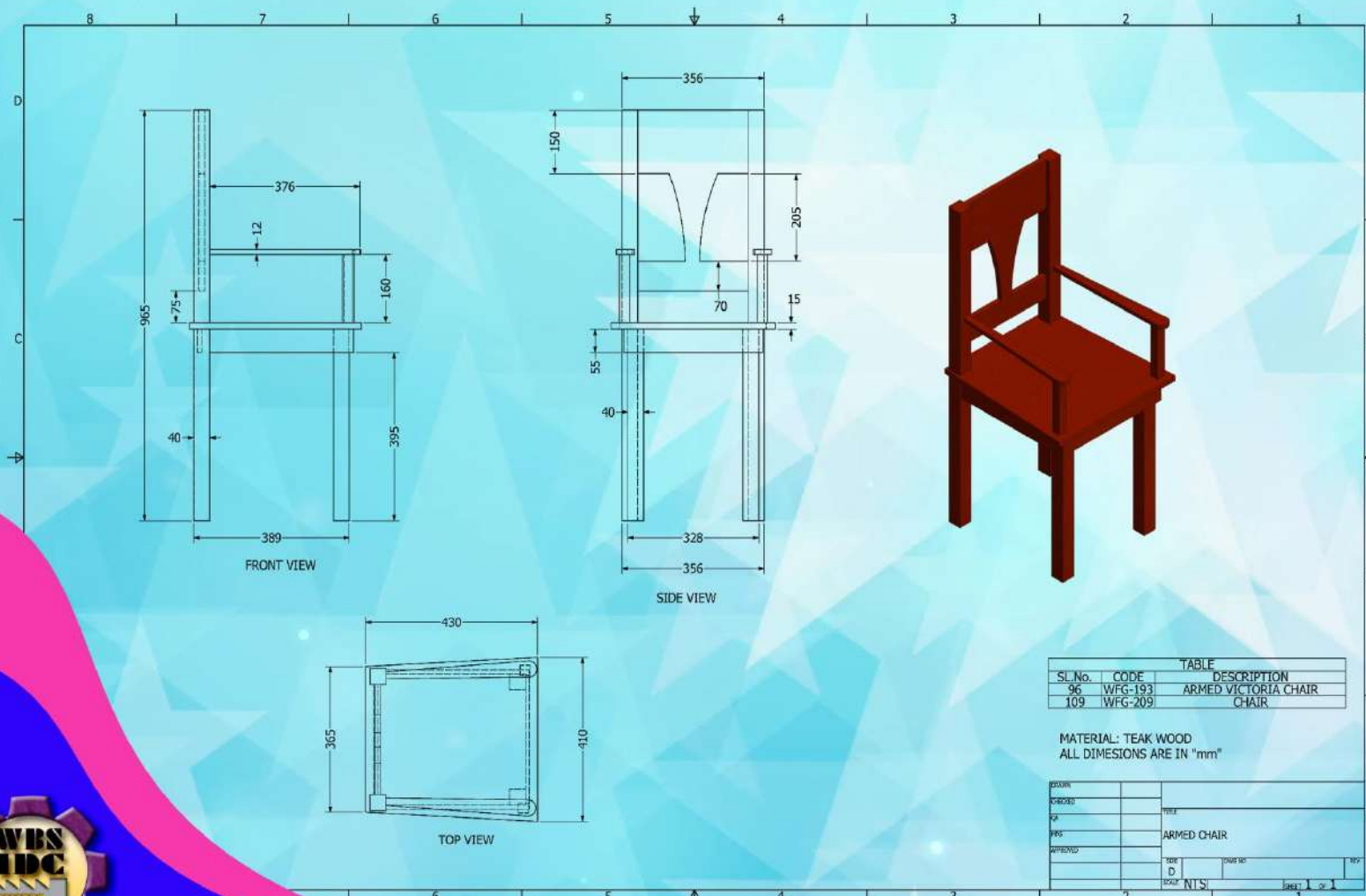


TABLE		
SL.No.	CODE	DESCRIPTION
83	WFG-180	HALF SEC. TABLE 4'x2'

MATERIAL: TEAK WOOD
ALL DIMENSIONS ARE IN "mm"

DRAWN	TITLE		
CHECKED	HALF SECRETARY TABLE		
DATE	SCALE	DATE	REV
PROJECT	NTSI	1	1



SL.No.	CODE	DESCRIPTION
96	WFG-193	ARMED VICTORIA CHAIR
109	WFG-209	CHAIR

MATERIAL: TEAK WOOD
ALL DIMENSIONS ARE IN "mm"

DESIGN			
DRAWN			
FA			
WFS		ARMED CHAIR	
APPROVED			
	TYPE	DATE	BY
	D		
	SCALE		
	1:1		



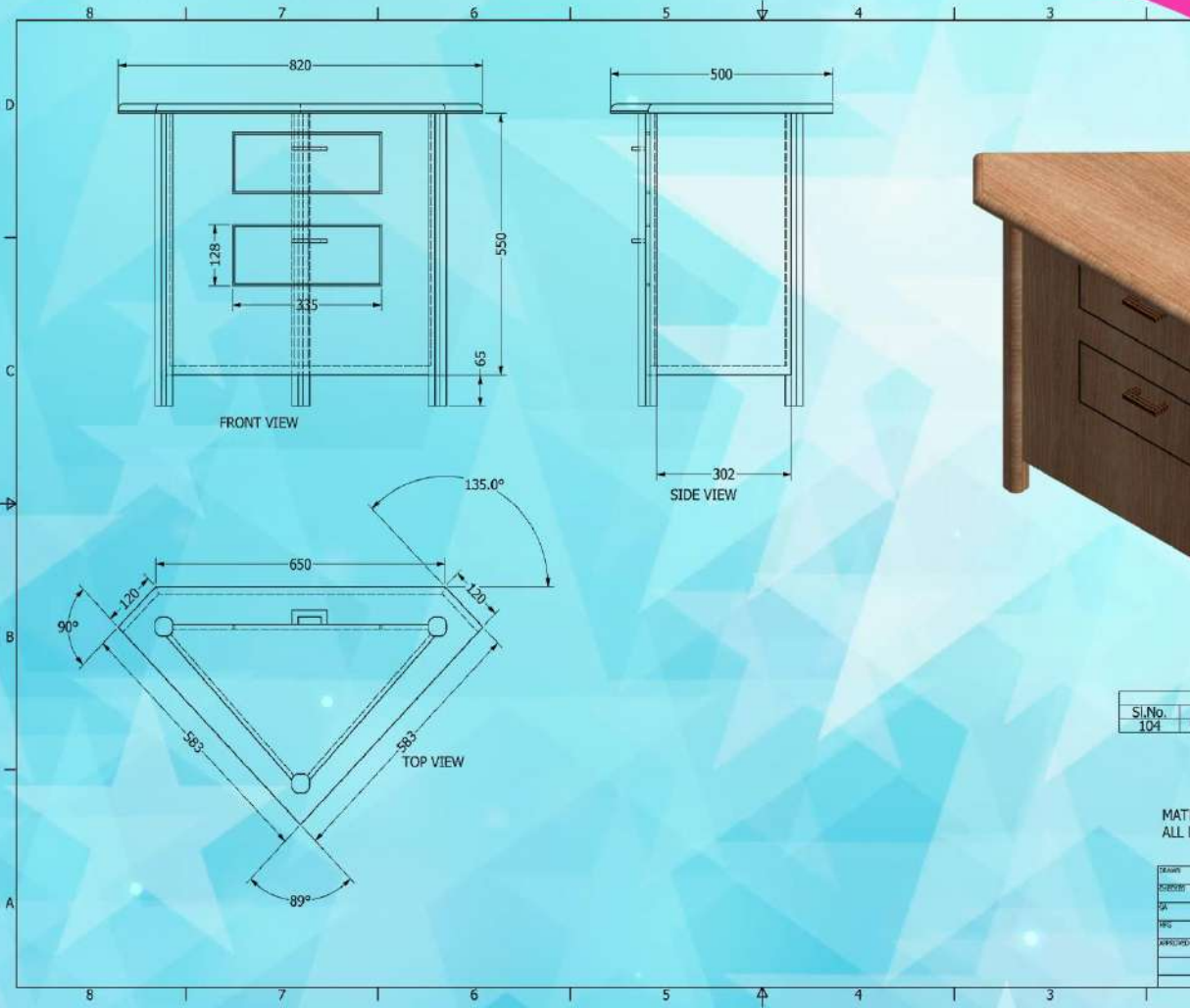


TABLE		
Sl.No.	Code	Description
104	WFG-201	CORNER TABLE 2'x2'

MATERIAL: TEAK WOOD
ALL DIMENSIONS ARE IN "mm"

DESIGN		TITLE	
DESIGNER			
CHK		CORNER TABLE	
WFS			
APPROVED		DATE	REV
		D	
		SCALE	1/2 or 1
		NTSI	

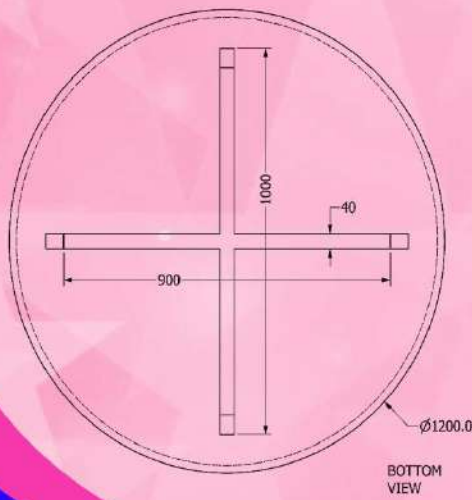
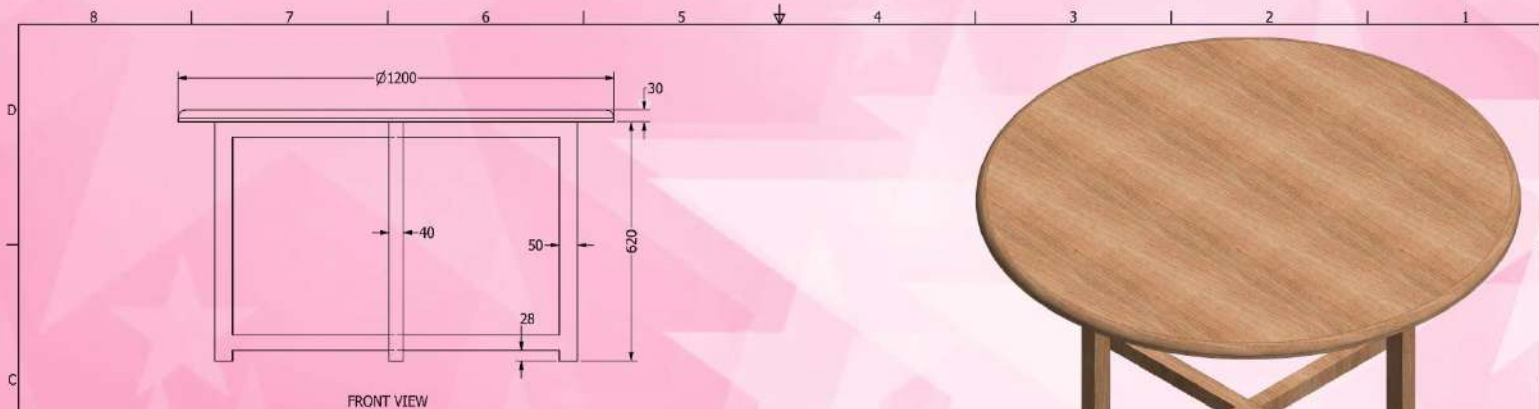
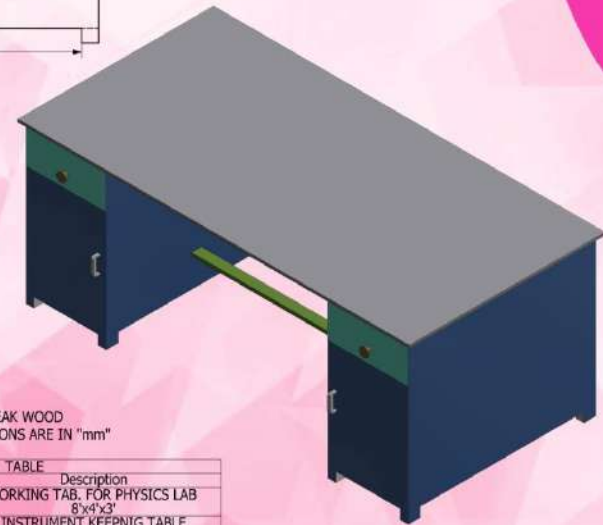
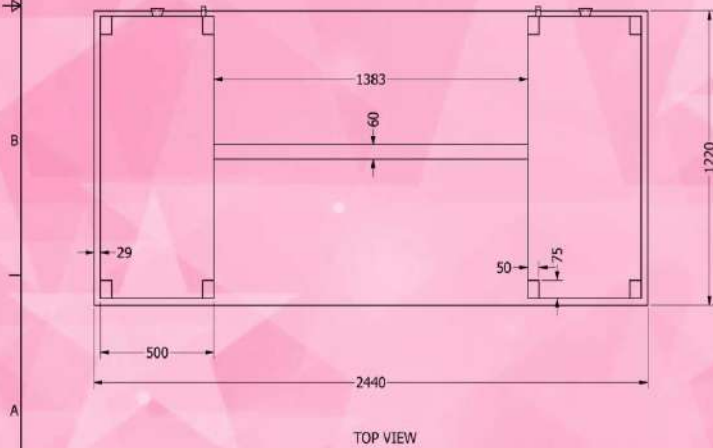
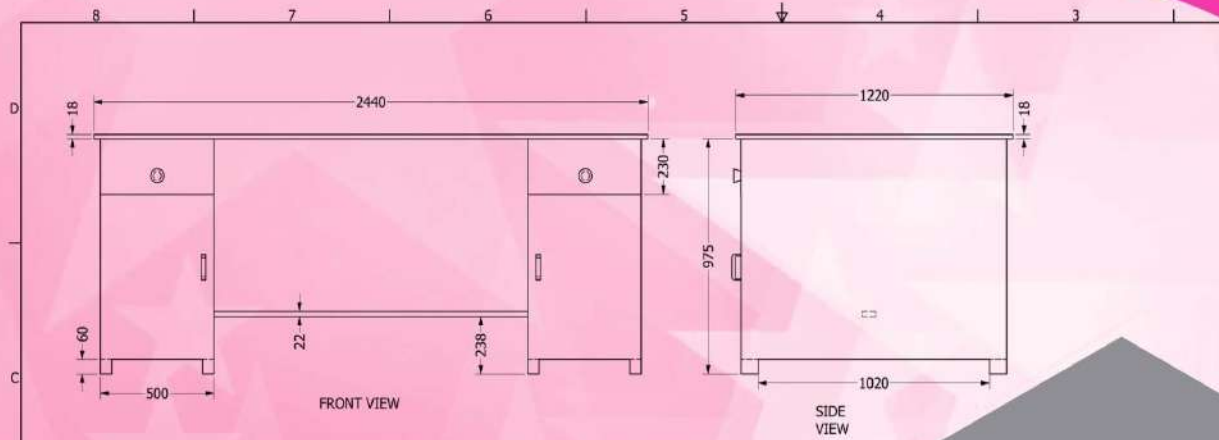


TABLE		
Sl. No.	CODE	DESCRIPTION
50	WFG-145	CIRCULAR WOODEN TABLE

MATERIAL: TEAK WOOD
ALL DIMENSIONS ARE IN "mm"

DESIGN			
CHECKED			
QA			
QC			
APPROVED			
	DESIGNER	DRAWN BY	REF
	DATE		
	SHEET	NO. OF	
	1	1	





MATERIAL: TEAK WOOD
ALL DIMENSIONS ARE IN "mm"

Sl.No.	Code	Description
54	WFG-149	WORKING TAB. FOR PHYSICS LAB 8'x4'x3'
63	WFG-158	INSTRUMENT KEEPING TABLE
91	WFG-188	LAB. TAB. 10'x4'x2'6"
92	WFG-189	LAB. TAB. 12'x4'x2'10"
106	WFG-203	WORKING TABLE 4'x2'6"
122	WFG-219	STUDY TABLE 2'6"x1'6" SHELVES

DESIGN		TITLE	
DRAWN		DATE	
CHECKED		BY	
QA		PHYSICS LAB TABLE	
APPROVED		DATE	
		SCALE	
		NO. OF SHEETS	1 of 1

NTSI

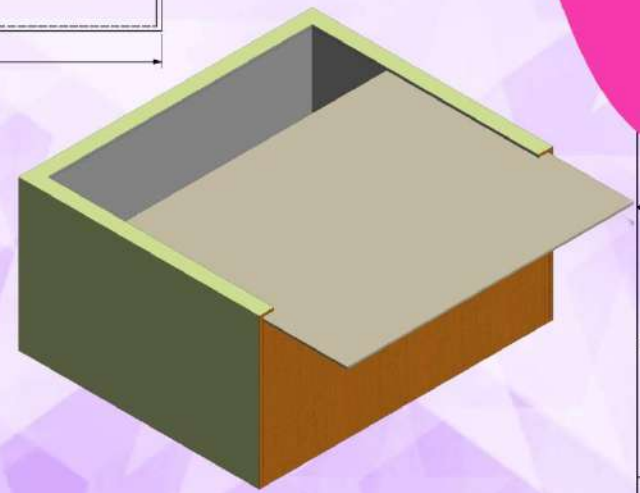
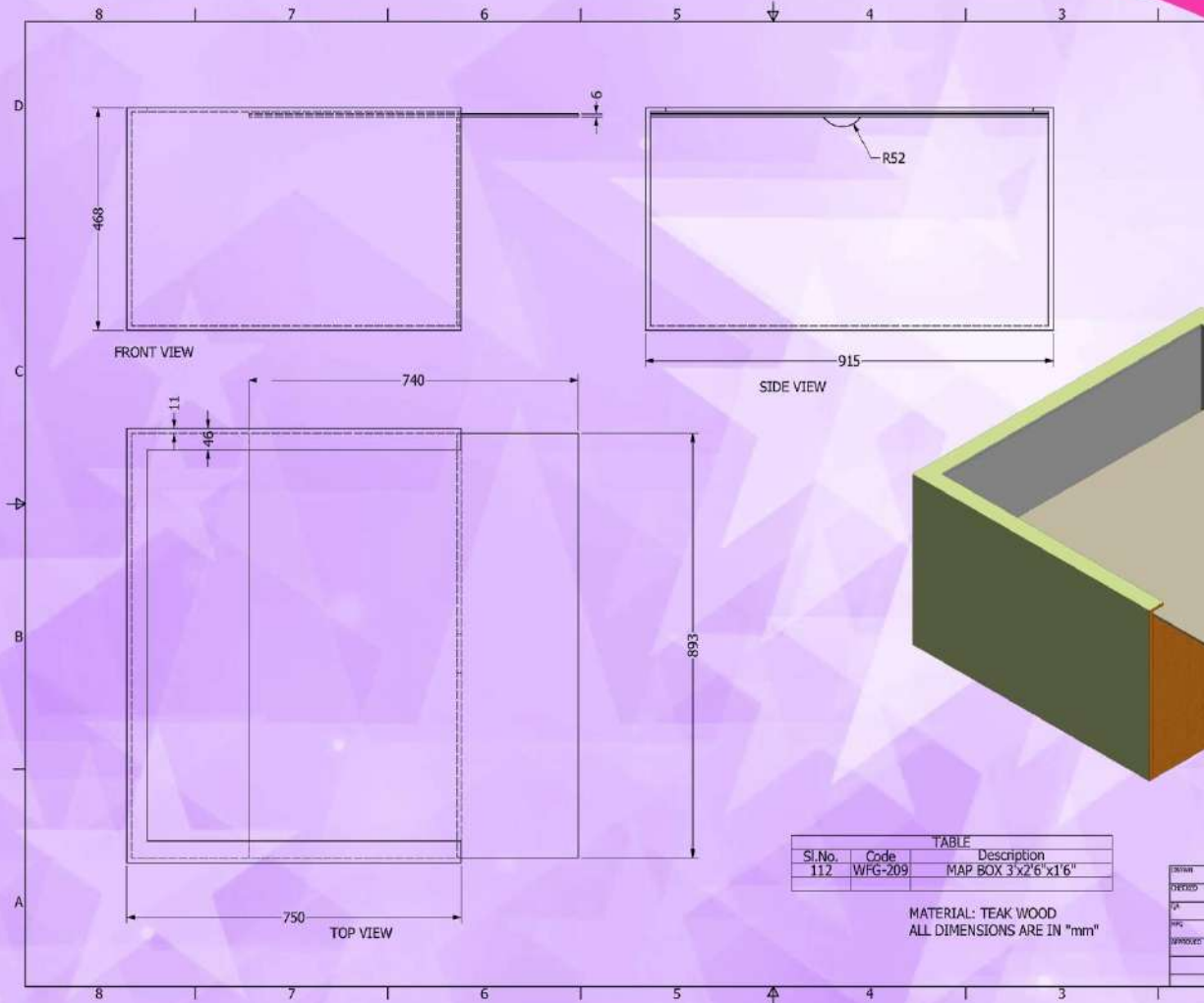
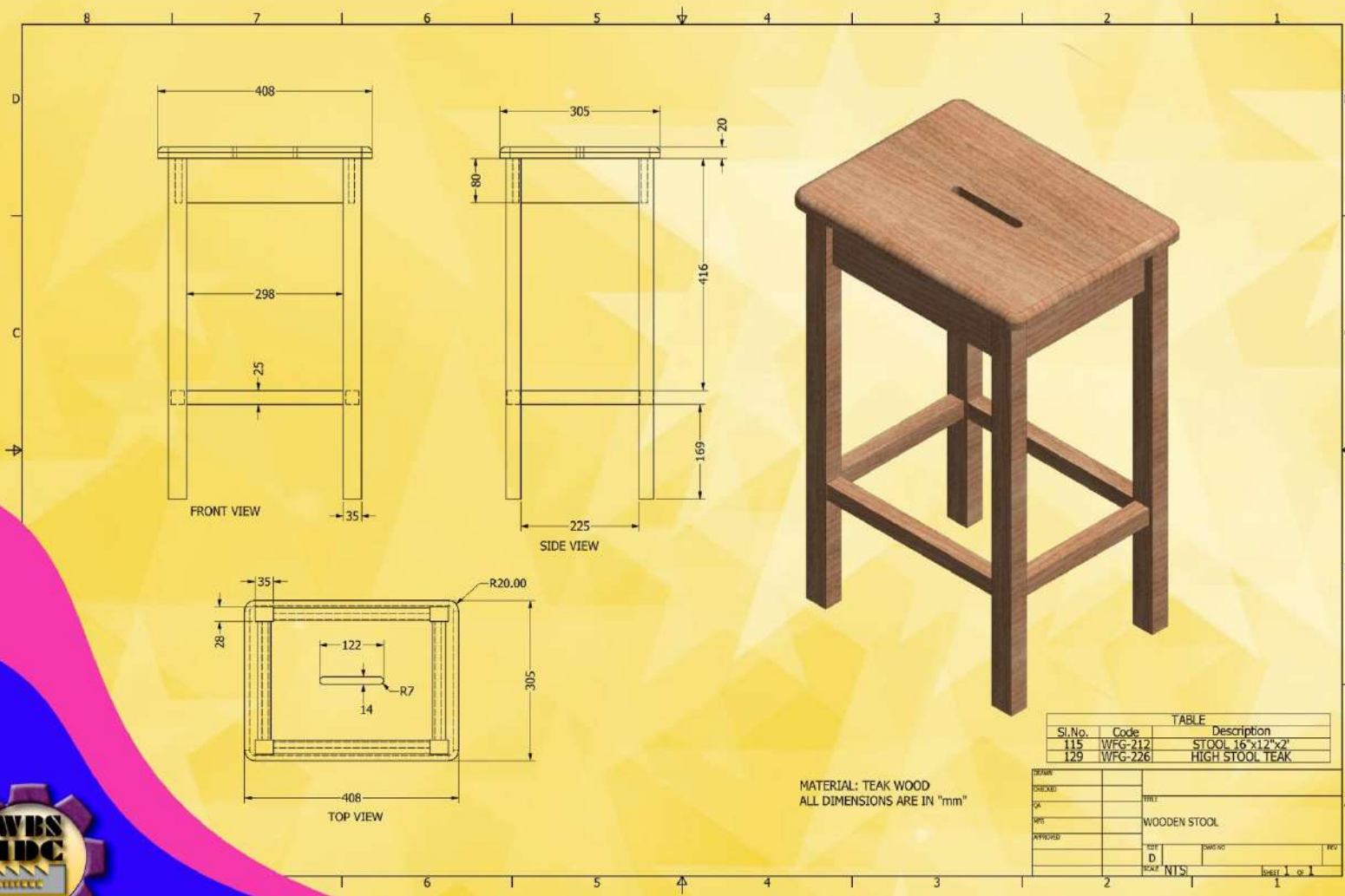


TABLE		
Sl.No.	Code	Description
112	WFG-209	MAP BOX 3'x2'6" x1'6"

MATERIAL: TEAK WOOD
ALL DIMENSIONS ARE IN "mm"

DESIGNED		TITLE	
BY		MAP BOX	
APPROVED		DATE	
		SCALE	1:1
		NO. OF SHEETS	1 OF 1

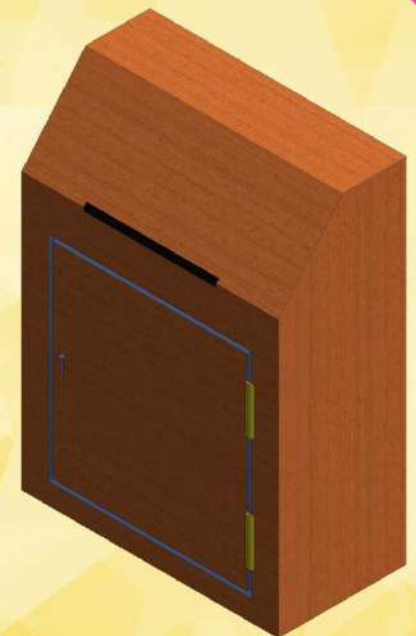
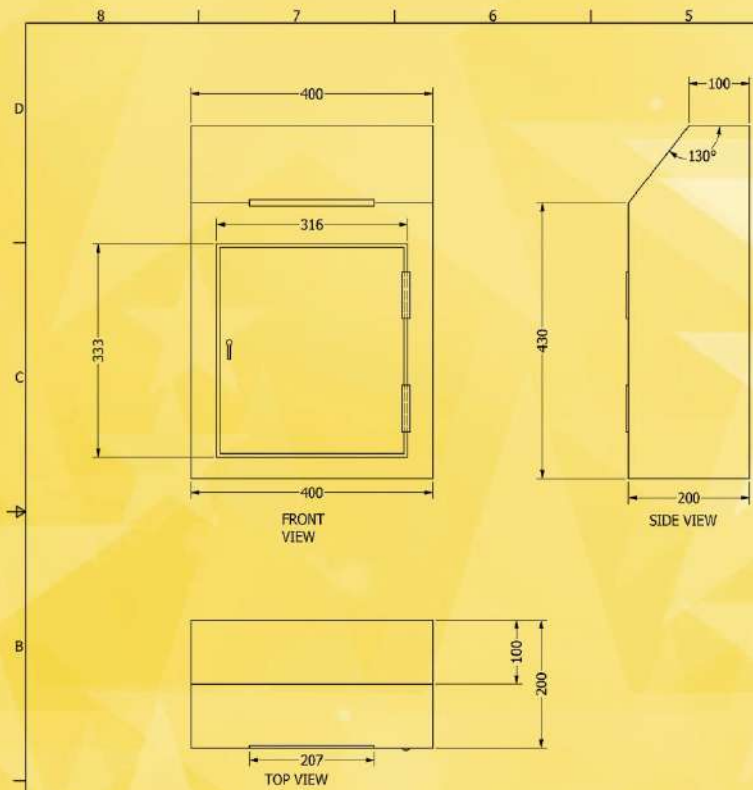


MATERIAL: TEAK WOOD
ALL DIMENSIONS ARE IN "mm"

TABLE		
Sl.No.	Code	Description
115	WFG-212	STOOL 16"x12"x2"
129	WFG-226	HIGH STOOL TEAK

DESIGN		TITLE	
CHECKED		DATE	
PA		WOODEN STOOL	
SPS		DATE	
APPROVED		DATE	
		SCALE	N.T.S.
			Sheet 1 of 1

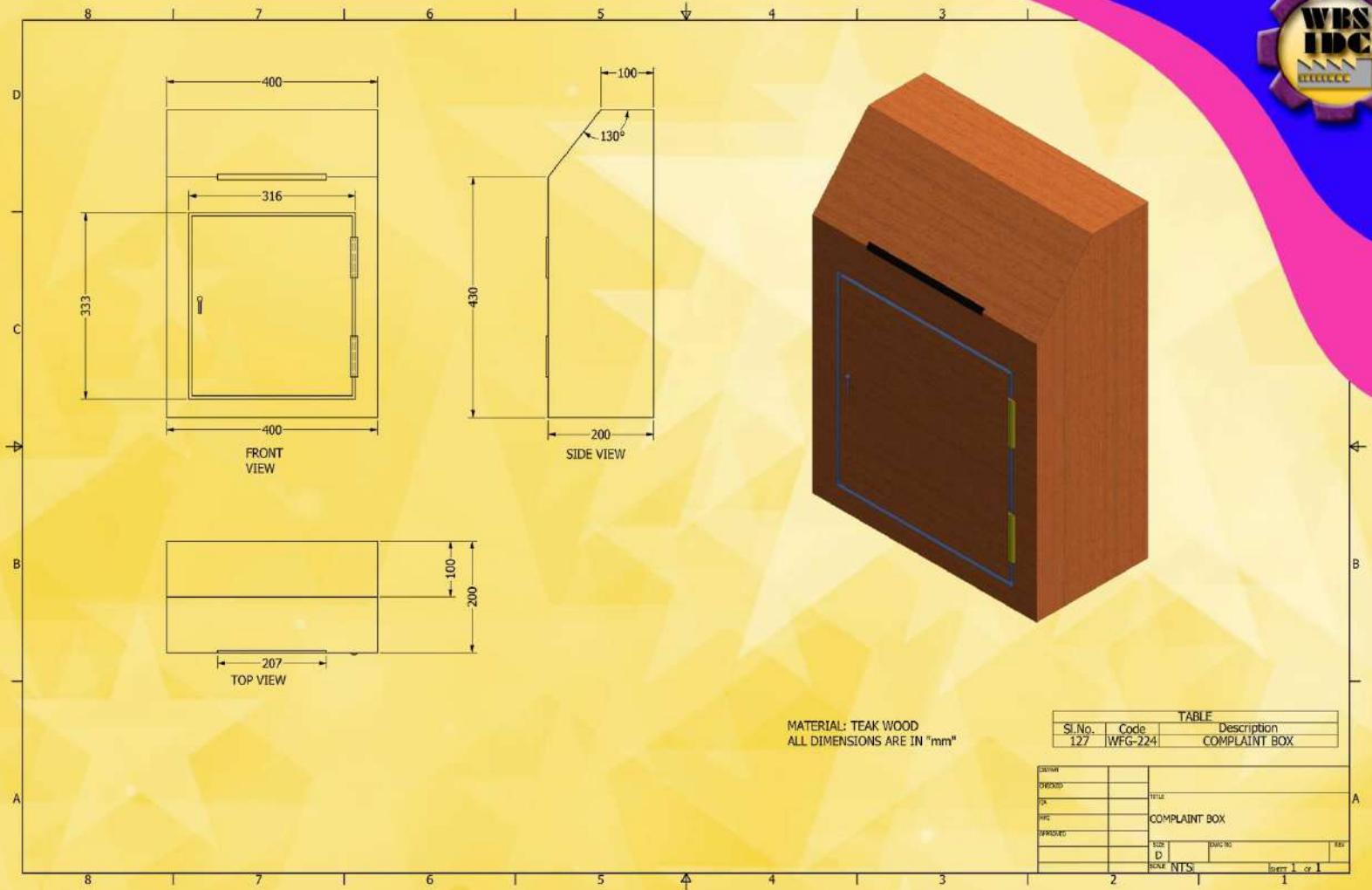




MATERIAL: TEAK WOOD
ALL DIMENSIONS ARE IN "mm"

TABLE		
Sl.No.	Code	Description
127	WFG-224	COMPLAINT BOX

DESIGN		TITLE	
DRAWN			
CHK		COMPLAINT BOX	
APPROVED		DATE	
		SCALE	
		NO. OF SHEETS	1 of 1



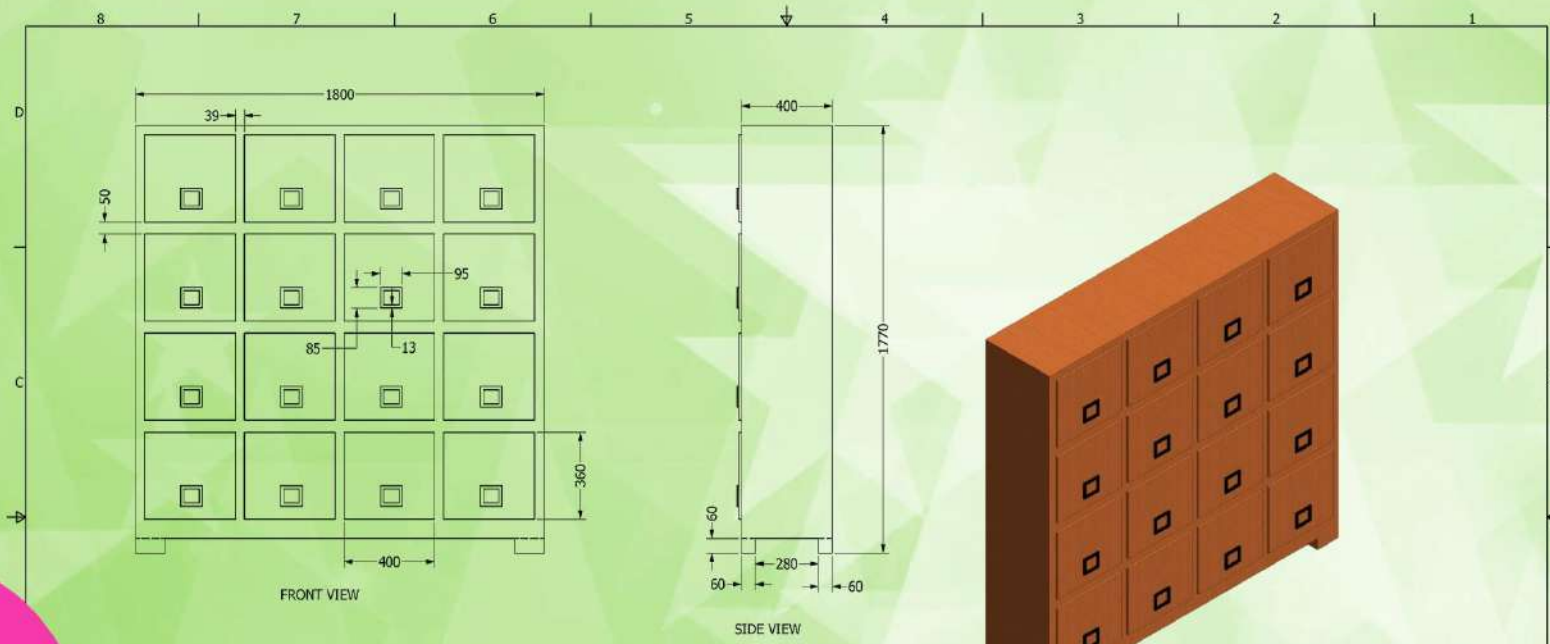


TABLE		
Sl.No.	Code	Description
141	WFG-238	CARD INDEX CABINET (16 DRAWER)

MATERIAL: TEAK WOOD
ALL DIMENSIONS ARE IN "mm"

DESIGNED		DATE	
CHECKED		BY	
DATE		CARD INDEX CABINET (16 DRAWER)	
APPROVED		SCALE	NTS
		SIZE	D
		SCALE	1/1

